

SPRAYER KIT

P/N 2879799

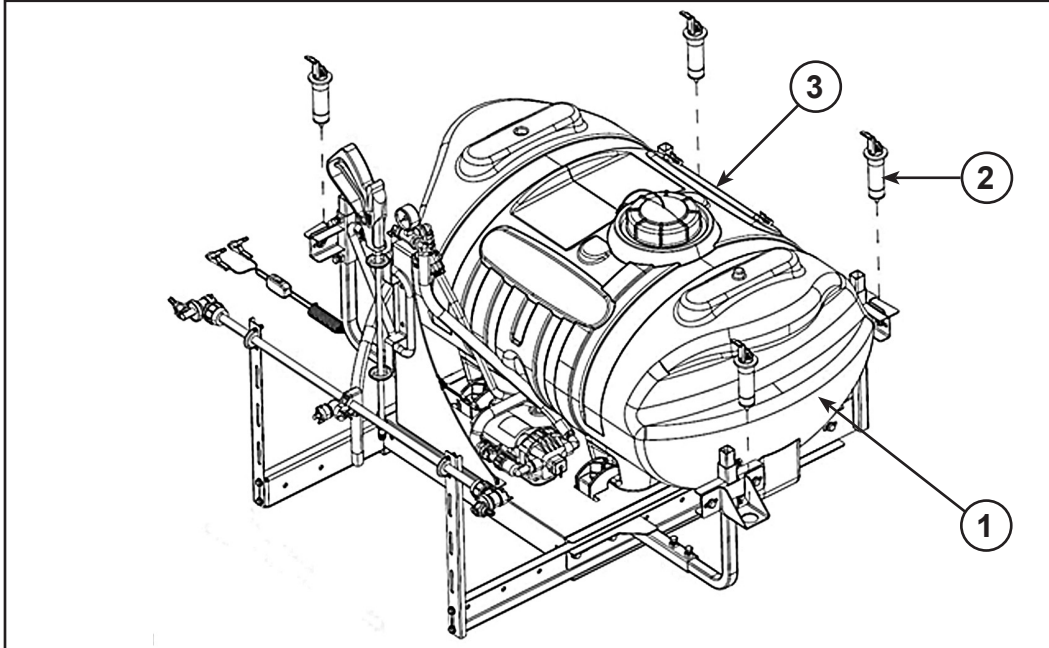


POLARIS®

Application

RANGER 900 XP

Before you begin, read these instructions twice and check to be sure all parts and tools are accounted for. Please retain these installation instructions for future reference and parts ordering information.



Kit Contents:

<u>Ref</u>	<u>Qty</u>	<u>Part Description</u>	<u>Part Number</u>
1	1	K-Sprayer, BMLSS, 60G	-
2	4	Lock and Ride Anchor	2875250
3	1	Decal - "POLARIS"	7175674
	1	Instructions	9925144

Tools Required:

Safety Glasses

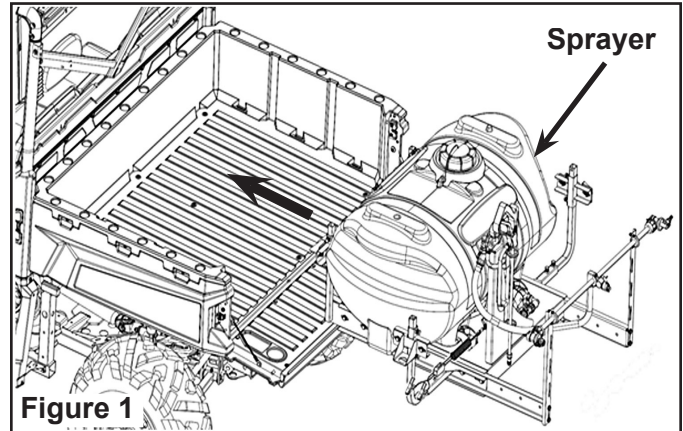
SAE and Metric Socket Set

APPROXIMATE ASSEMBLY TIME: 15 minutes

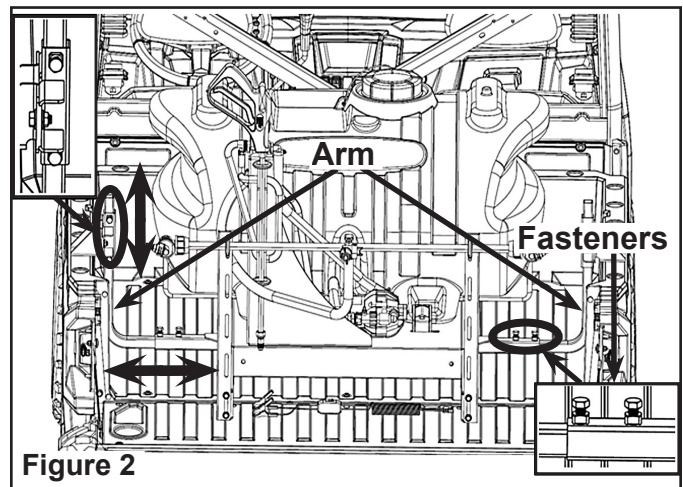
IMPORTANT: Your Polaris RANGER 900 XP SPRAYER KIT is exclusively designed for your vehicle. Please read the installation instructions thoroughly before beginning. Installation is easier if the vehicle is clean and free of debris. For your safety, and to ensure a satisfactory installation, perform all installation steps correctly in the sequence shown.

INSTALLATION INSTRUCTIONS:

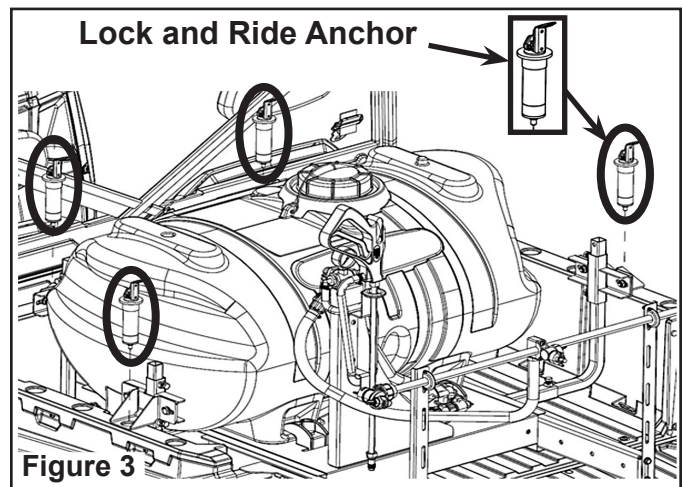
1. Place the vehicle in "PARK". Turn the key to "OFF" position and remove from the vehicle.
2. Dis-assemble the sprayer from the pallet.
3. Drop the tail gate of cargo box.
4. Slide the sprayer in the box in forward direction.
Figure 1.



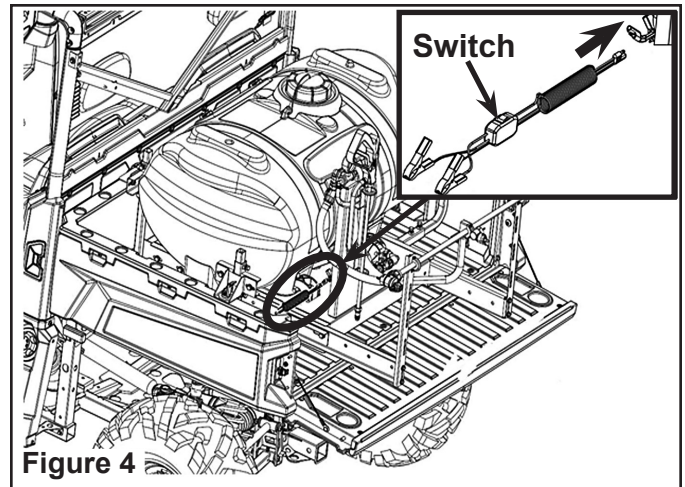
5. Adjust all arms and tighten all the fasteners.
Figure 2.



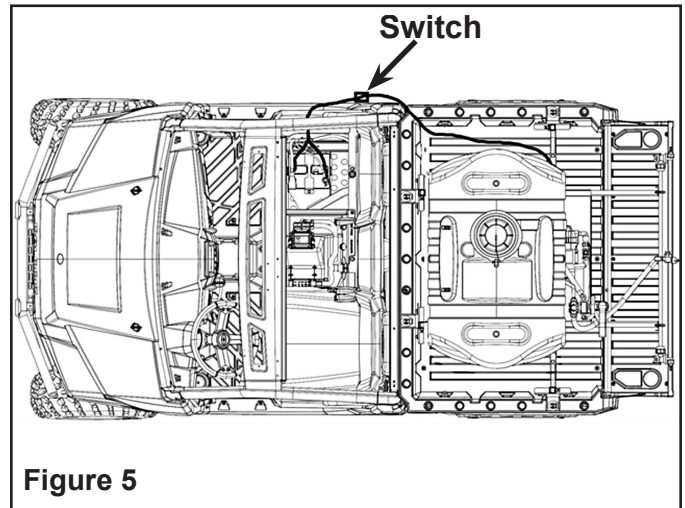
6. Install four lock and ride anchors as shown in Figure 3. These lock and ride anchors are meant to be easily removed from the main sprayer frame so that the sprayer can be slid in and out of the cargo bed without lifting it up several inches to clear the anchors. As such, assemble the lock and ride anchors with the large flat plate at the top of the assembly, just under the lock and ride actuation lever. This will allow the anchor to work and hold the sprayer in place without securing the anchor directly to the sprayer frame.



7. Connect the connector of the wire harness to the motor. Figure 4.
8. Remove the passenger side seat bottom and the storage box underneath it.



9. Route the wire harness. Figure 5.



10. Connect the alligator clips to the battery positive and negative terminals. Figure 6.
11. Put the storage box and the passenger side seat bottom back on the vehicle.
12. Refer user manual for proper function of sprayer.

