

GLACIER PRO POLY PLOW (72") KIT

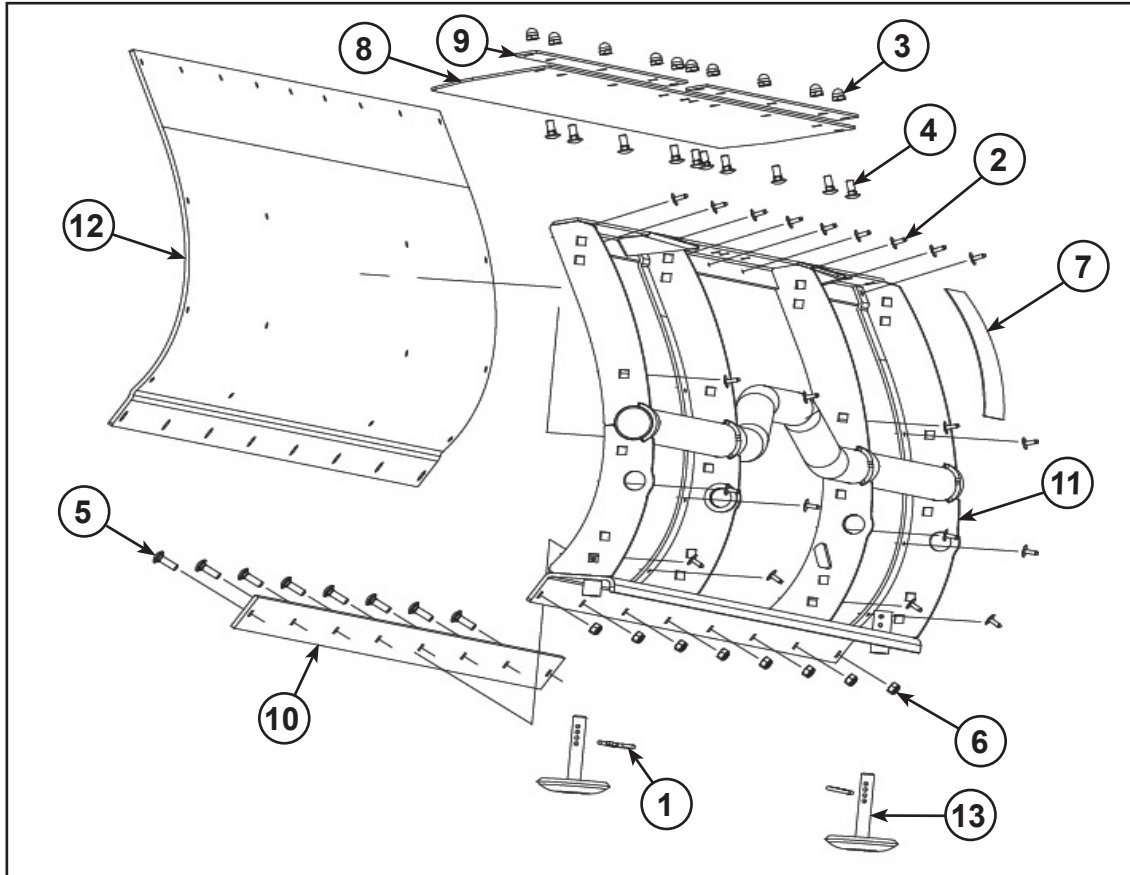
P/N 2879317

Application

FLOW FRAME (PN 2879103)



Before you begin, read these instructions twice and check to be sure all parts and tools are accounted for. The following instructions contain details required to install the contents of this kit.



Kit Contents:

<u>Ref</u>	<u>Qty</u>	<u>Part Description</u>	<u>Part Number</u>
1	2	R-pin	2205494
2	21	Rivet	-
3	10	Cap Nut	-
4	10	M8x1.25x20 mm Carriage Bolt	-
5	8	M8x1.25x25 mm Carriage Bolt	-
6	8	M8x1.25 Self Locking Hexagonal Nut	-
7	1	Warning Decal	-
8	1	Rubber Snow Flap (72")	2858541
9	2	Rubber Flap Bracket (36")	-
10	1	Cutting Edge	2204976
11	1	Welded Plow/Blade Framing (72")	-
12	1	Plastic Moldboard/Polyethylene Blade (72")	2205375
13	2	Skid Shoe	2205223
	1	Instructions	9924908

Tools Required:

19 mm Socket and Wrench

APPROXIMATE ASSEMBLY TIME: 30 minutes

IMPORTANT: Your Polaris GLACIER PRO POLY PLOW (72") KIT is exclusively designed for your vehicle. Before beginning, please read these instructions and make sure that all parts and tools are at your disposal. Keep these instructions for future reference or part ordering information. To facilitate installation, make sure that your plow system is clean and free of debris.

PLOW SYSTEM:

1. Assemble as illustrated in page 1.

Spare Kits							
Ref	Description	Plow Kit (2879317)	Wear Bar Kit (2204976)	Skid Shoe Kit (2205223)	R-Pin Kit (2205494)	72" Skin Kit (2205375)	Rubber Deflector Flap Kit (2858541)
1	R-Pin	2x		2x	2x		
2	Rivet	21x				21x	
3	Cap Nut	10x					10x
4	Carriage Bolt-M8x1.25x20mm	10x					10x
5	Carriage Bolt-M8x1.25x25 mm	8x	8x				
6	Hexagonal Nut-M8x1.25, Self Locking	8x	8x				
7	Warning Decal	1x					
8	Rubber Snow Flap (72")	1x					1x
9	Rubber Flap Bracket (36")	2x					2x
10	Cutting Edge	1x	1x				
11	Welded Plow/Blade Framing (72")	1x					
12	Plastic Moldboard/Polyethylene Blade (72")	1x				1x	
13	Skid Shoe	2x		2x			
	Instructions (P/N 9924908)	1x					

Other Accessory Kits Available For Purchase:

1. Plow Markers Kit (PN 2872726)
2. Curb Finder Kit (PN 2879872)
3. Hardened Wear Bar Kit (PN 2879875)