

GLACIER PRO TRACK EXTENSION KIT

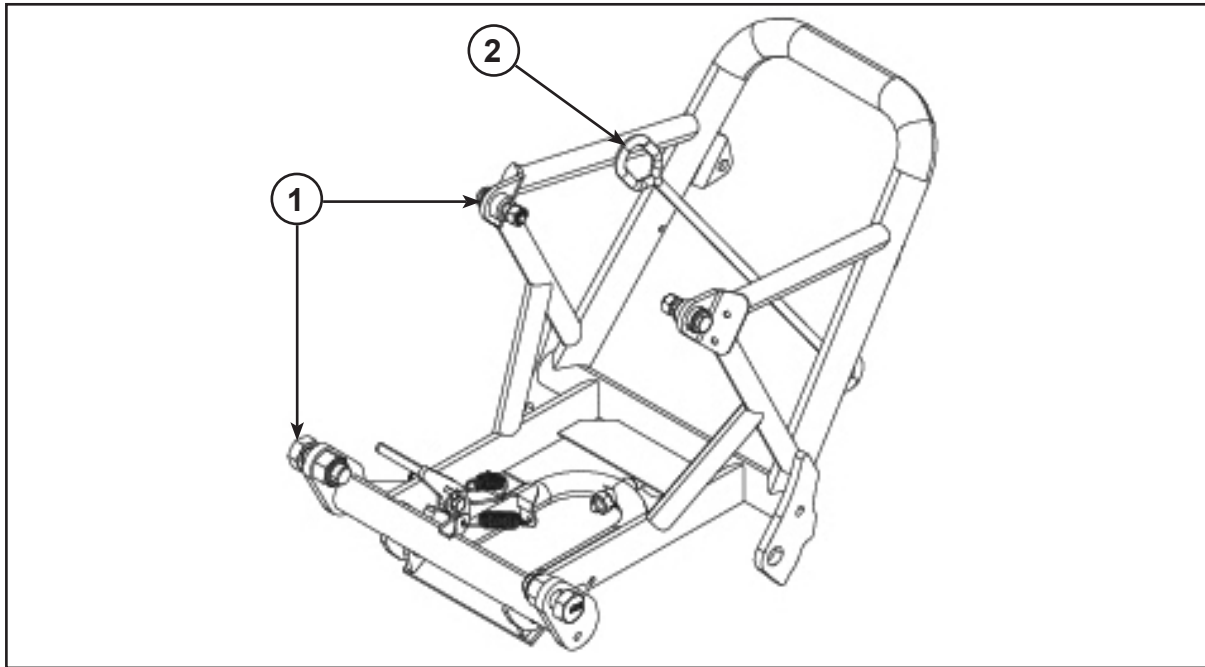
P/N 2879871

Application

GLACIER PRO PLOW (PN 2879103)



Before you begin, read these instructions twice and check to be sure all parts and tools are accounted for. Please retain these installation instructions for future reference and parts ordering information.



Kit Contents:

<u>Ref</u>	<u>Qty</u>	<u>Part Description</u>	<u>Part Number</u>
1	-	Hardware, Plow Extension, PRO	2205219
2	-	Winch Link, Extension, PRO	2205464
	1	Instructions	9924905

Tools Required:

19 mm Socket and Wrench
Pliers

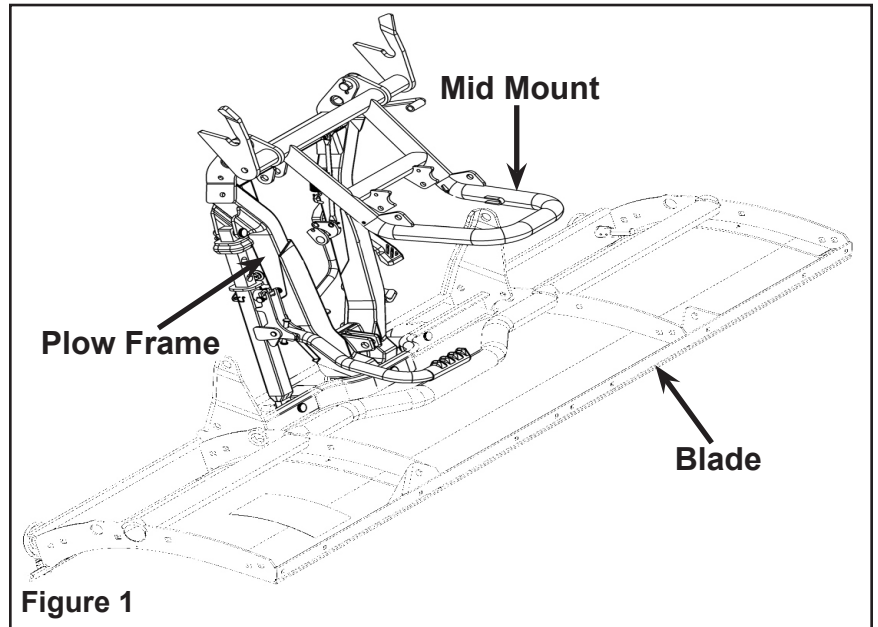
30 mm Socket and Wrench
Torque Wrench

APPROXIMATE ASSEMBLY TIME: 15-30 minutes

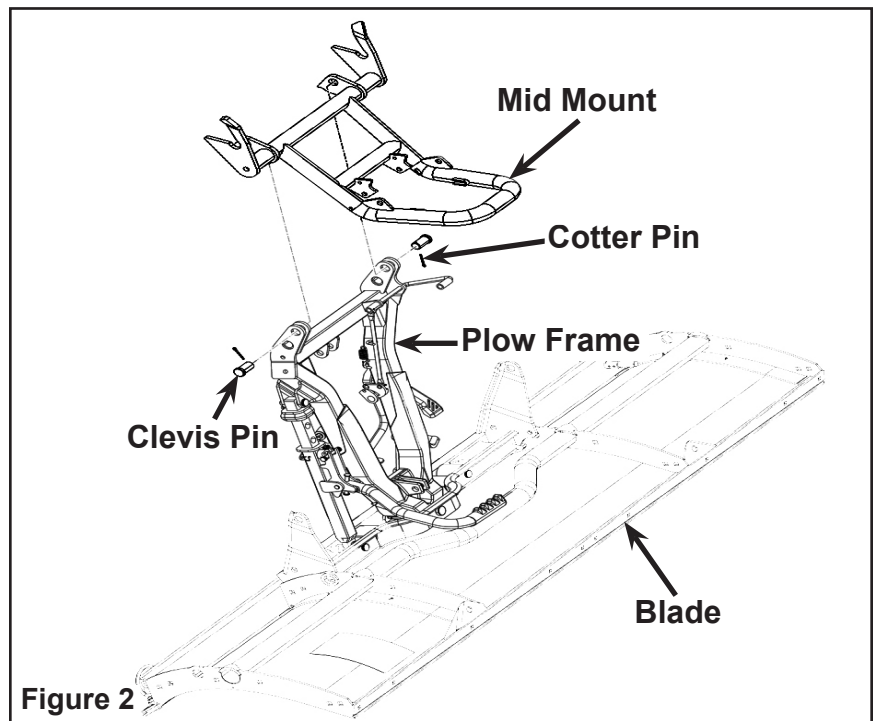
IMPORTANT: Your Polaris Glacier Pro Track Extension Kit is exclusively designed to work with the Glacier Pro UTV Plow System (PN 2879103). Please read the installation instructions thoroughly before beginning. Installation is easier if the plow system is clean and free of debris. For your safety and to ensure a satisfactory installation, perform all installation steps correctly and in the sequence shown.

INSTALLATION INSTRUCTIONS:

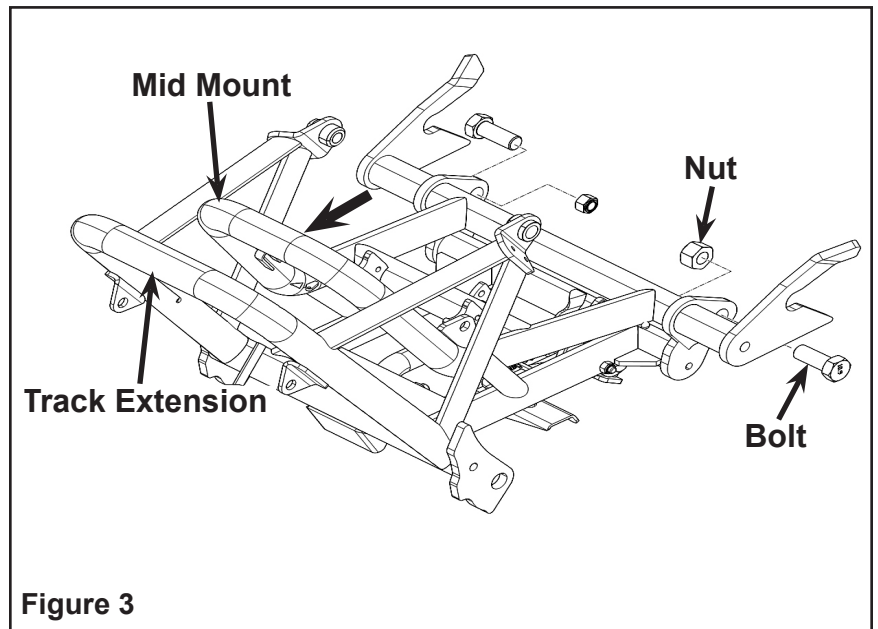
1. Rotate the plow system forward and place it securely on the blade. Figure 1. Take care to place the blade on a clean surface or cardboard in order to prevent scratching the blade during assembly.



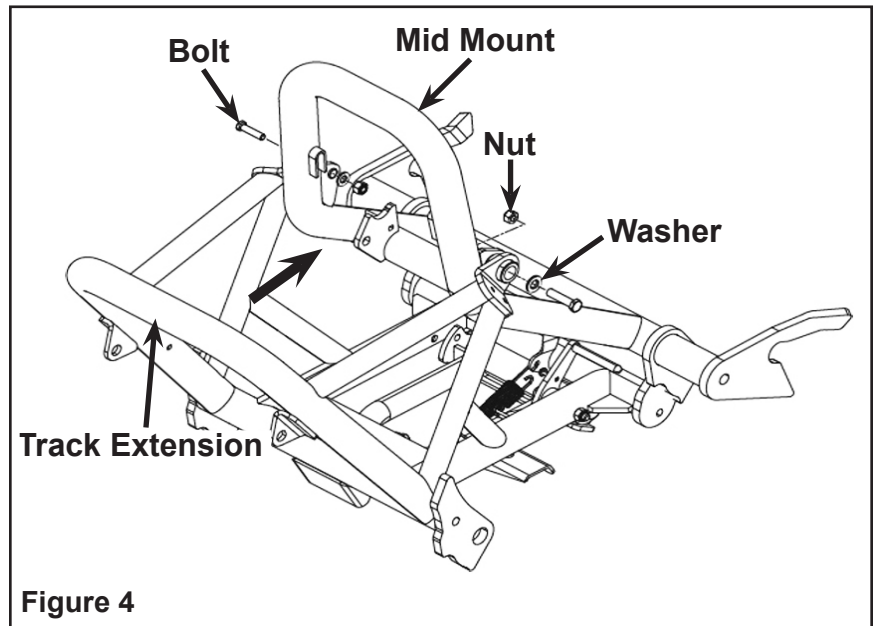
2. Remove the two cotter pins and clevis pins securing the mid mount to the plow frame. Remove the mid mount from plow frame at this time. Retain the hardware for reuse. Figure 2.



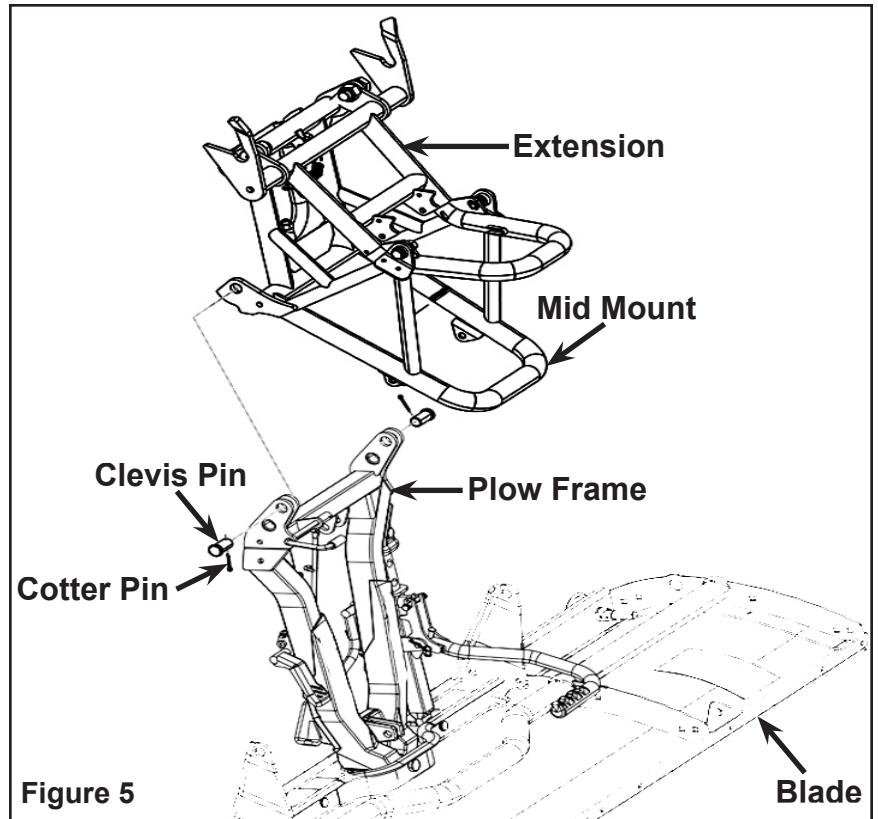
3. Feed the top of the mid mount to the inside of the track extension between the top mounting locations and secure the lower mounts to the track extension (PN 2879871) using the two M20X50 mm bolts and nylock nuts. Figure 3. Leave hardware finger tight at this time.



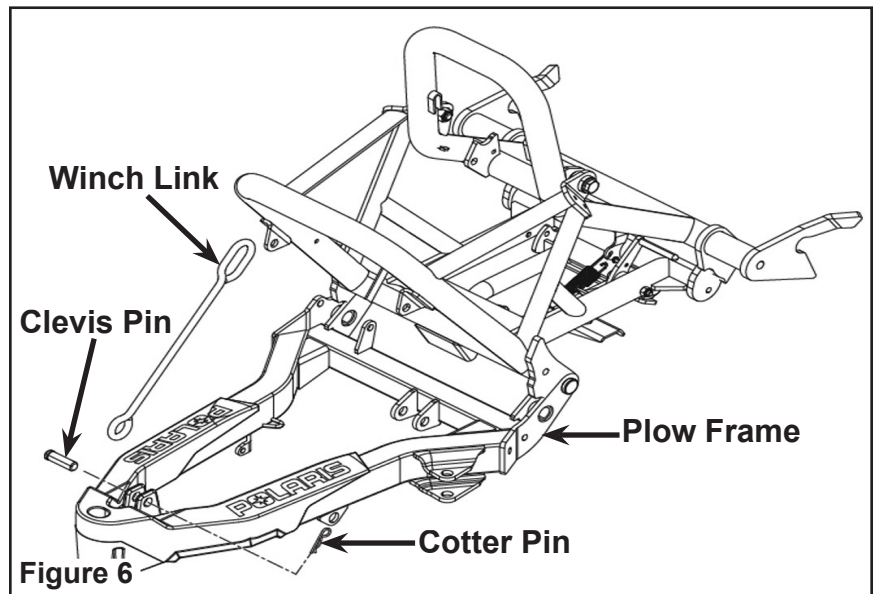
4. Rotate the mid mount rearward to align the top mounting locations of the mid mount with the top mounting locations on the track extension. Figure 4. Secure the mid mount in place using the two M12X50 mm bolts, washers and nuts provided in this kit. Torque hardware to 50-60 ft. lbs. (67-81 Nm).



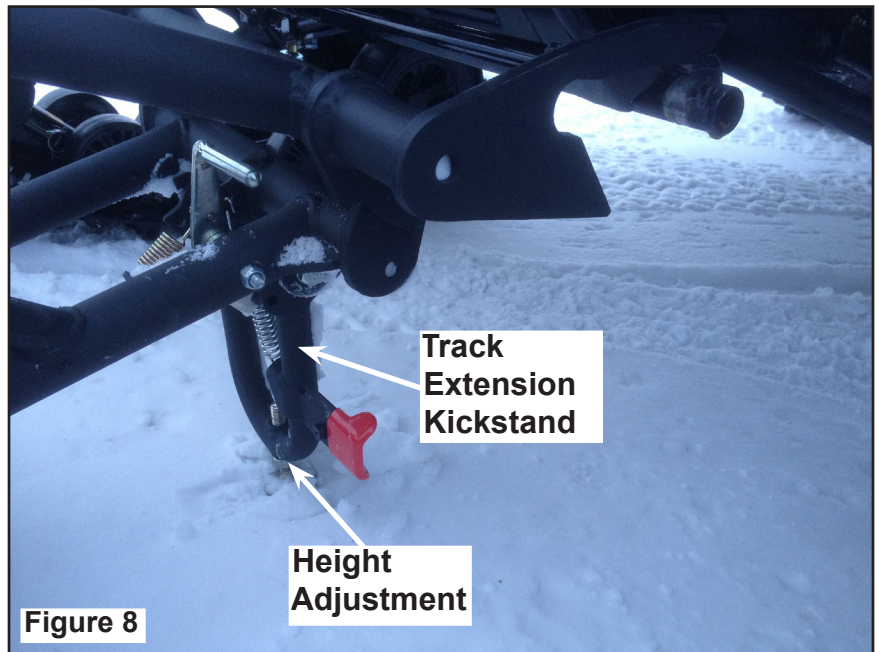
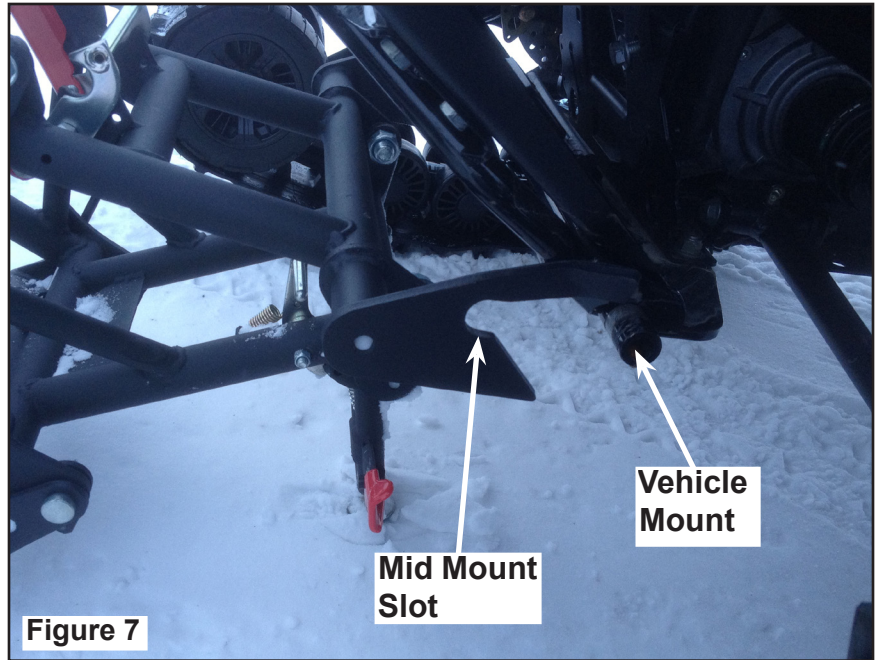
5. Install the sub-assembly (from step 4) onto the plow frame with two clevis pins and cotter pins removed in Step 3 in the lower extension holes. Figure 5.



6. Remove the stock winch link from the plow system and install the new winch link (PN 2205464) provided in the kit using clevis pin and the cotter pin. Figure 6.



7. Manually adjust the height of track extension kickstand to line up the slot on the mid mount with mount on vehicle. Figure 7 and 8.



NOTE:

- The track extension kickstand is designed to support the added weight of the plow system and track extension. The stock kickstand should not be used once the track extension has been installed. Figure 9.



- The track extension kickstand does not retract automatically. Use the foot actuated kickstand release lever shown in Figure 10 to release the kickstand once the system is securely latched to the machine.



- New mounting tabs have been provided for the Glacier Pro Plow Hydraulic Lift Kit (PN 2879220). See figure 11 for tab location and refer to lift system instructions for proper installation.

