

# LOWER ALUMINUM DOOR KIT

P/N 2879943

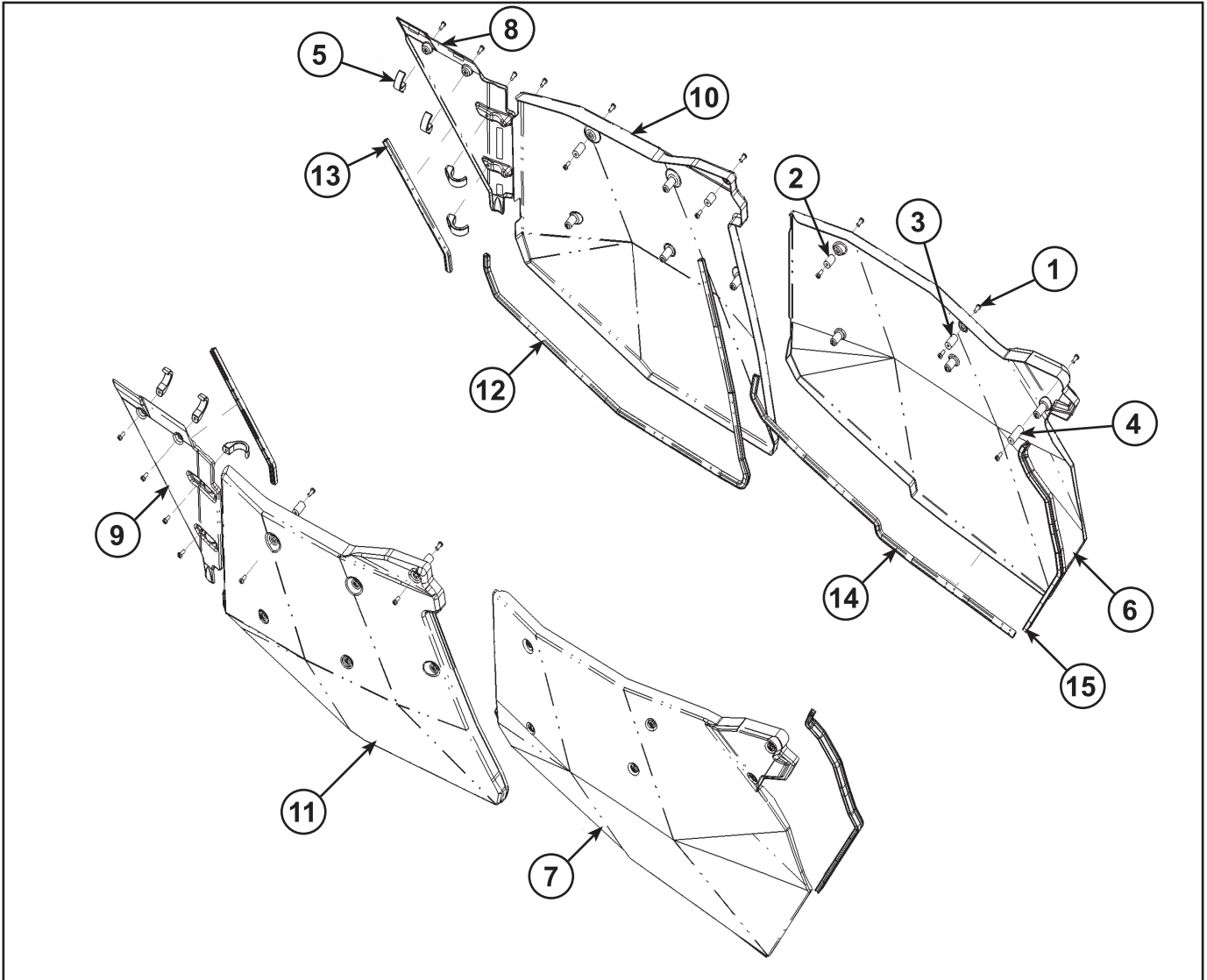
Application

RZR XP4 1000

**POLARIS**

ENGINEERED PARTS  
ACCESSORIES & APPAREL

Before you begin, read these instructions twice and check to be sure all parts and tools are accounted for. Please retain these installation instructions for future reference and parts ordering information.



**Kit Contents:**

<b><u>Ref</u></b>	<b><u>Qty</u></b>	<b><u>Part Description</u></b>	<b><u>Part Number</u></b>
1*	56	Screw-TXBH-M6x1.0x12 12.9 ZPB	-
2*	14	Small Spacer Mount	5139035
3*	8	Medium Spacer Mount	5139036
4*	2	Large Spacer Mount	5139037
5*	8	External Aluminum Door Mount, Machined	5139153
6	1	Aluminum Door Skin, LH	5258357
7	1	Aluminum Door Skin, RH	5258358
8	1	Aluminum Door Pillar, LH	5258360
9	1	Aluminum Door Pillar, RH	5258361
10	1	Aluminum Rear Door Skin, LH	5258508
11	1	Aluminum Rear Door Skin, RH	5258509
12*	2	Seal, Aluminum Door	5522024-1258
13*	2	Seal, Aluminum Door	5522024-310
14*	2	Seal, Aluminum Door	5522024-820
15*	2	Seal, Aluminum Door	5522083-550
	1	Instructions	9924819

**Items marked (\*) are included in Hardware Kit PN 2205291.**

**Tools Required:**

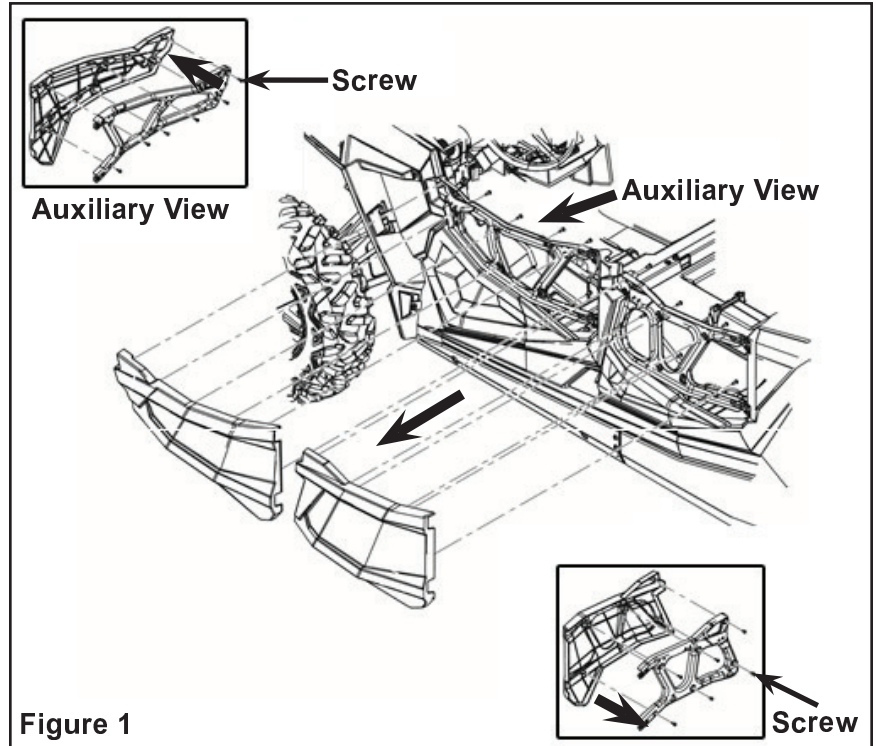
Safety Goggles                      Torx Set

**APPROXIMATE ASSEMBLY TIME:** 25-30 minutes

**IMPORTANT:** Your Polaris LOWER ALUMINUM DOOR is exclusively designed for your vehicle. Please read the installation instructions thoroughly before beginning. Installation is easier if the vehicle is clean and free of debris. For your safety and to ensure a satisfactory installation, perform all installation steps correctly in the sequence shown.

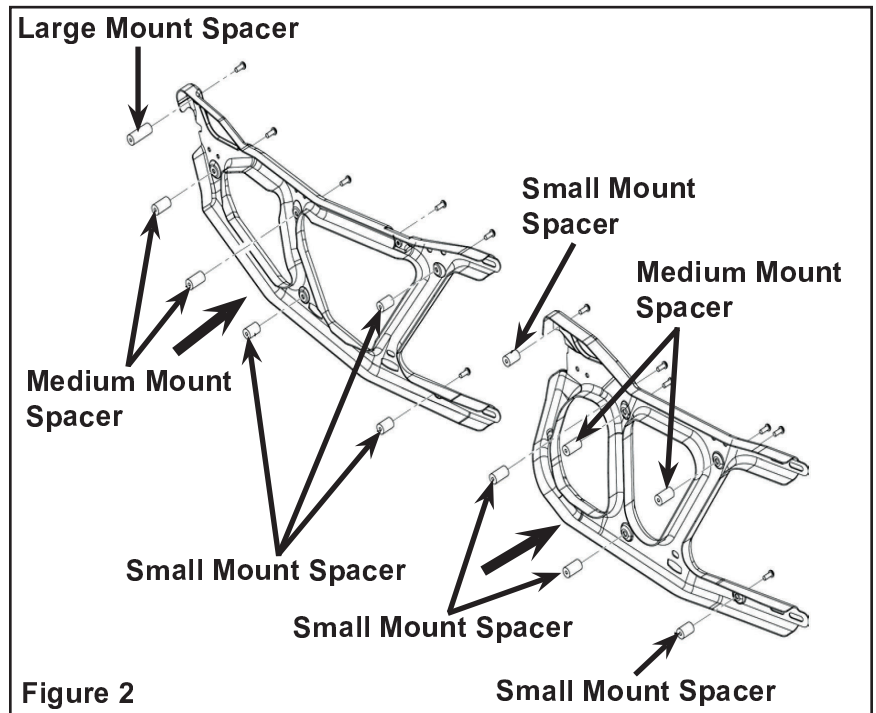
## INSTALLATION INSTRUCTIONS:

1. Place the vehicle in "PARK" and turn the key to "OFF" position. Remove the key from the vehicle.
2. Remove the left side door skins (PN 5258357 and PN 5258508) from the door frames by removing bolts from twelve locations. Figure 1.



3. Mount the spacers (PN 5139035, PN 5139036 and PN 5139037) on each door frame using twelve M6 bolts. Figure 2.

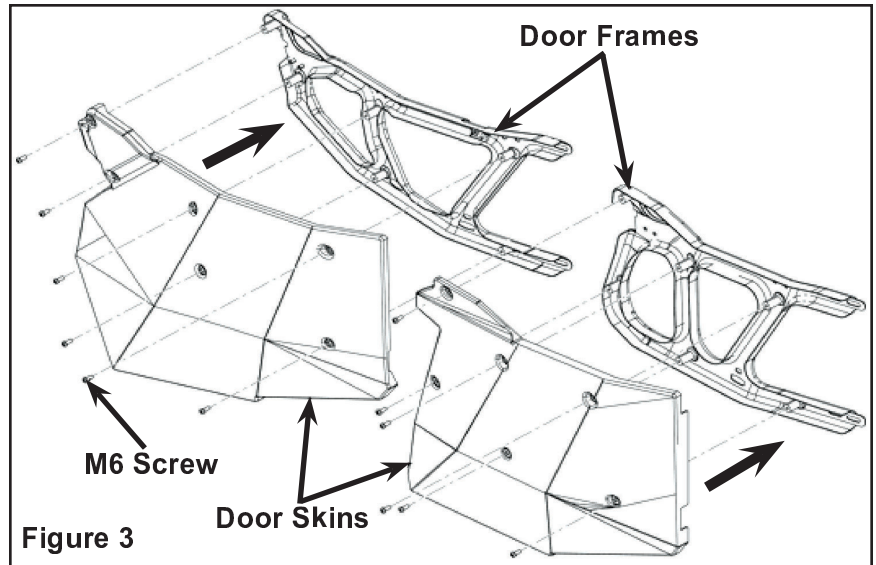
**NOTE:** Torque to 4 ft. lbs. (5.42 Nm).



4. Mount the front and rear aluminum door skins (PN 5258357 and PN 5258508) loosely on the left side door frames with twelve bolts. Figure 3.

5. Make sure that aluminum door upper seals are in place. Adjust the doors for even level and door latches correctly.

6. Torque to 4 ft. lbs. (5.42 Nm).



7. Install the left hand aluminum door pillars (PN 5258360) to the bolsters at four locations using the J-mount (PN 5139153) and M6 screws. Figure 4.

**NOTE:** Torque to 4 ft. lbs. (5.42 Nm).

8. Repeat all the above steps for passenger side.

