

MUDFLAP KIT

P/N 2879938

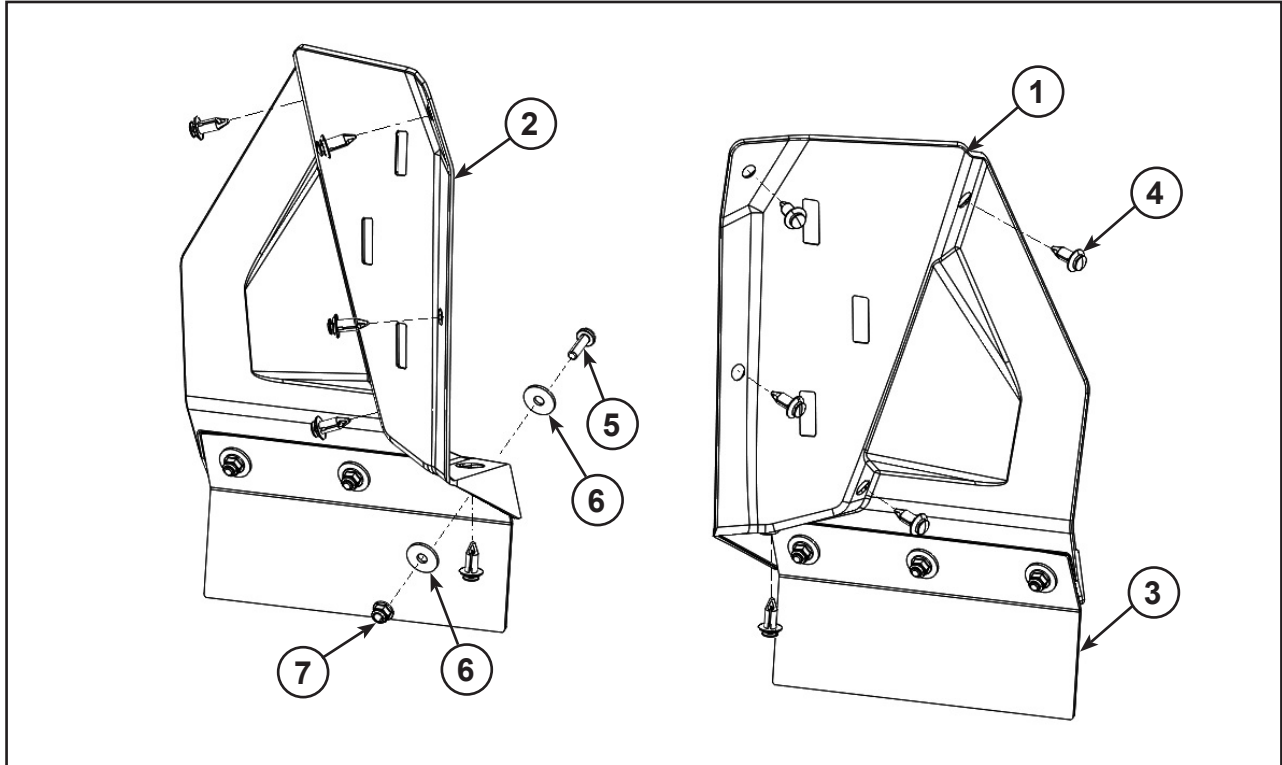
Application

RZR XP4 1000

POLARIS

ENGINEERED PARTS
ACCESSORIES & APPAREL

Before you begin, read these instructions twice and check to be sure all parts and tools are accounted for. Please retain these installation instructions for future reference and parts ordering information.



Kit Contents:

<u>Ref</u>	<u>Qty</u>	<u>Part Description</u>	<u>Part Number</u>
1	1	Mud flap - LH	5450966
2	1	Mud flap - RH	5450967
3	2	Mud flap - Rubber, Lower	5415124
4*	10	Tuflok Rivet, 0.315 - 0.325x0.787	7661855
5*	6	Screw-M6x1.0x20 mm	7518546
6*	12	Washer - 0.275x.84x0.075 Black-M	7556386
7*	6	Nut-Hexflange-M6X1.0 8 ZB3 Nyloc	7547453
	1	Instructions	9924814

Items marked (*) are included in Hardware Kit PN 2205285.

IMPORTANT: Your Polaris MUDFLAP is exclusively designed for your vehicle. Please read the installation instructions thoroughly before beginning. Installation is easier if the vehicle is clean and free of debris. For your safety and to ensure a satisfactory installation, perform all installation steps correctly and in the sequence shown. Before you begin, ensure to thoroughly review the instructions. Ensure that you have all the required tools and the skills necessary to complete this installation.

Tools Required:

Safety Goggles

Torx Set

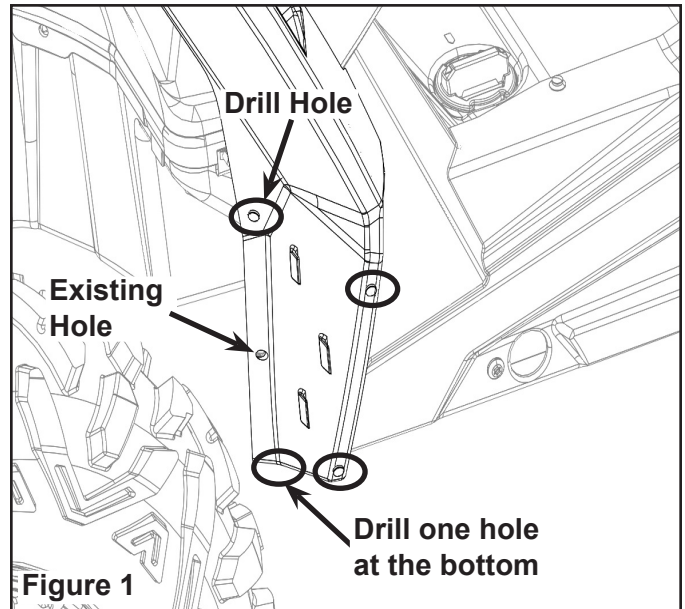
5/16" Drill bit Set

APPROXIMATE ASSEMBLY TIME: 20-25 minutes

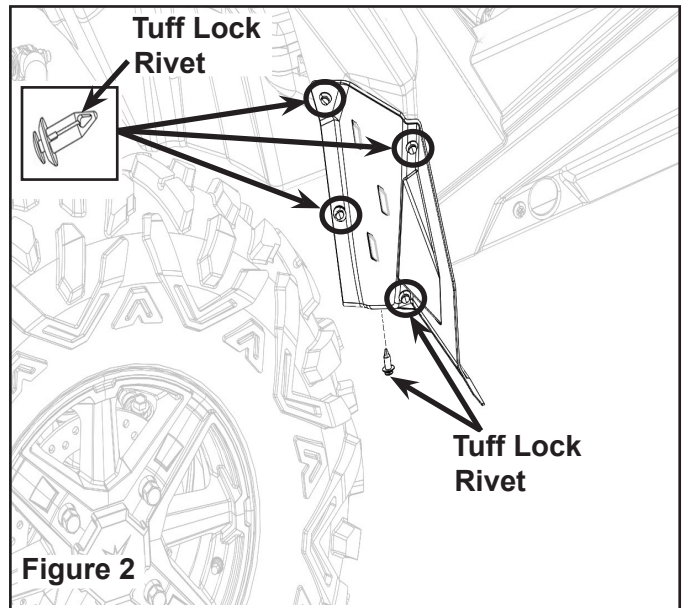
INSTALLATION INSTRUCTIONS:

1. Place the vehicle in "PARK". Turn the key to "OFF" position and remove from the vehicle.
2. Using the mud flap (PN 5450966) as a template, drill four holes in driver's side front fender flair.
Figure 1.

NOTE: Install one tuff lock rivet through the mud flap and existing hole on the fender to mark the proper hole locations.



3. Install LH mud flap on fender flair by attaching tuff lock rivets (PN 7661855) at five places.
Figure 2.



4. Install lower rubber mud flap (PN 5415124) by attaching three M6 screws (PN 7518546) with three M6 nuts (PN 7547453) and six washers (PN 7556386) as shown. Figure 3.
5. Repeat Steps 2-4 to install RH mud flap (PN 5450967) on the passenger side.

