

REAR PANEL MESH AND RACE KIT

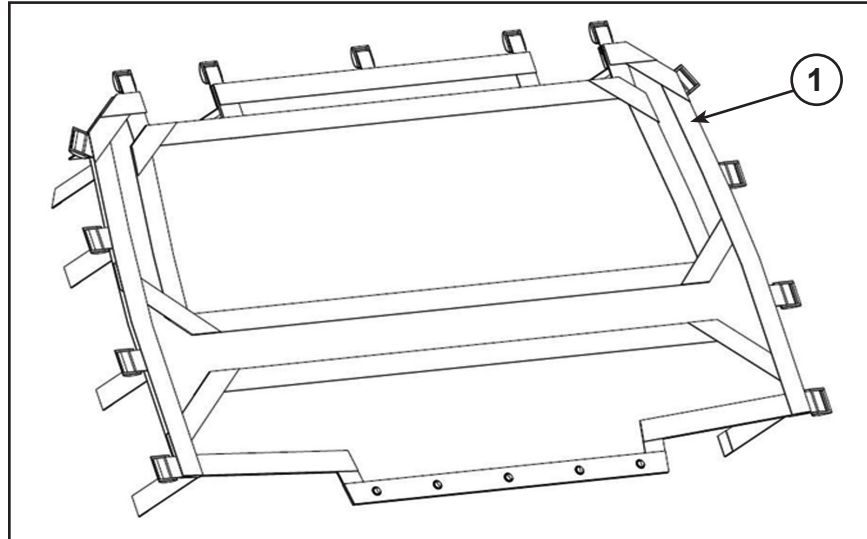
P/N 2879507; 2879936



Application

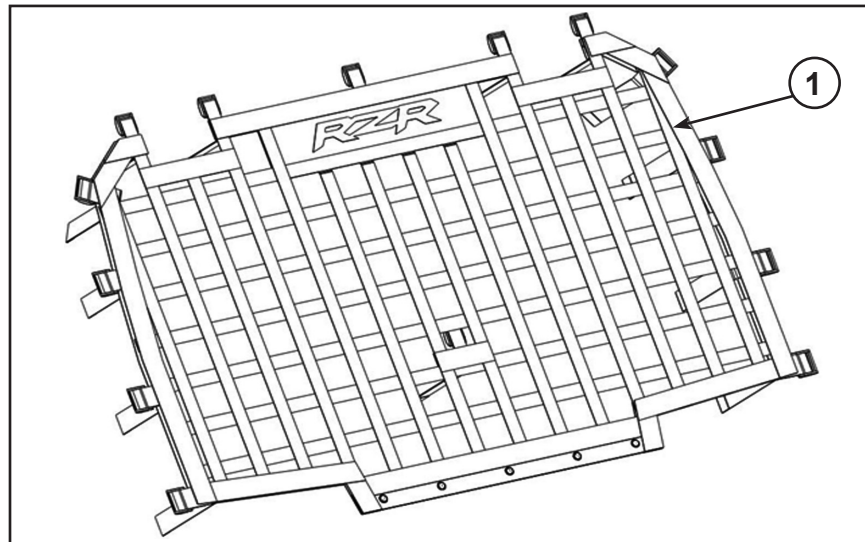
RZR XP 1000, RZR XP4 1000

Before you begin, read these instructions twice and check to be sure all parts and tools are accounted for. Please retain these installation instructions for future reference and parts ordering information.



Kit (2879507) Contents:

<u>Ref</u>	<u>Qty</u>	<u>Part Description</u>	<u>Part Number</u>
1	1	Rear Panel, Mesh	2635219
	1	Instructions	9924801



Kit (2879936) Contents:

<u>Ref</u>	<u>Qty</u>	<u>Part Description</u>	<u>Part Number</u>
1	1	Rear Panel, Race	2635221
	1	Instructions	9924801

Tools Required:

- Safety Glasses
- Drill
- #2 Phillips Driver

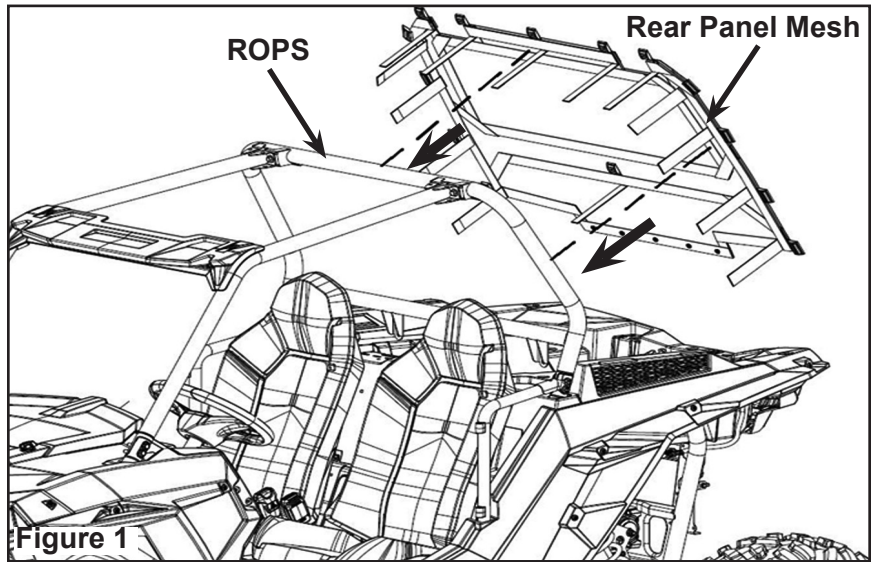
APPROXIMATE ASSEMBLY TIME: 20-25 minutes

IMPORTANT: Your Polaris REAR PANEL is exclusively designed for your vehicle. Please read the installation instructions thoroughly before beginning. Installation is easier if the vehicle is clean and free of debris. For your safety and to ensure a satisfactory installation, perform all installation steps correctly and in the sequence shown.

INSTALLATION INSTRUCTIONS:

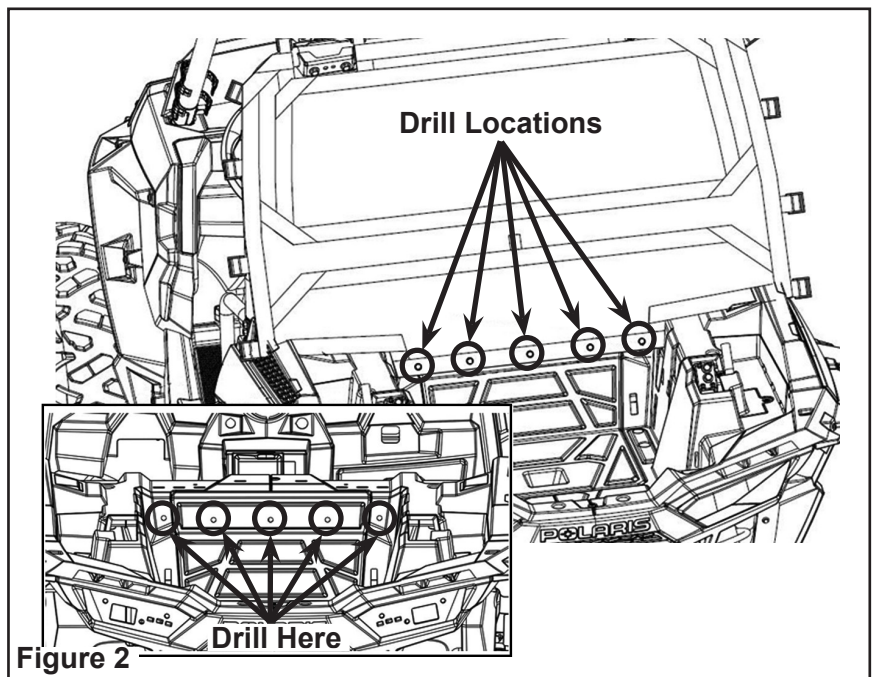
For Mesh Panel

1. Place the vehicle in "PARK". Turn the key to the "OFF" position and remove from the vehicle.
2. Install the rear panel mesh (PN 2635219) onto the ROPS and strap loosely. Figure 1.

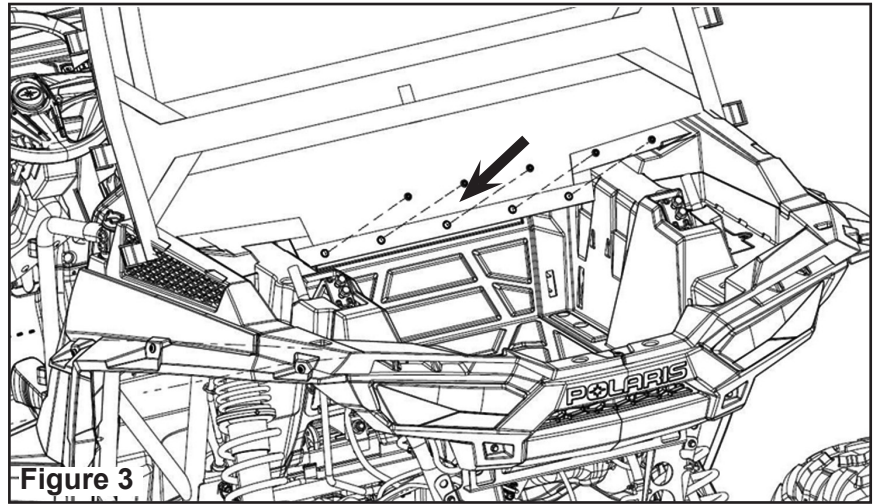


3. Place the rear panel mesh (PN 2635219) onto the vehicle body. Drill the holes at five locations to install the snaps. Figure 2.

NOTE: Ensure not to damage parts of the vehicle while drilling.

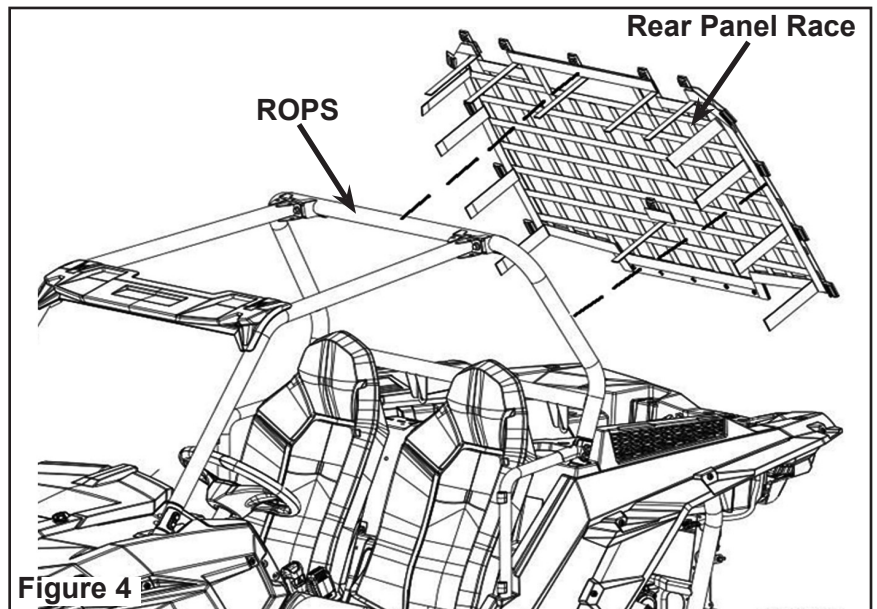


4. Attach the rear panel mesh (PN 2635219) at five locations with the snaps and tighten the straps. Figure 3.



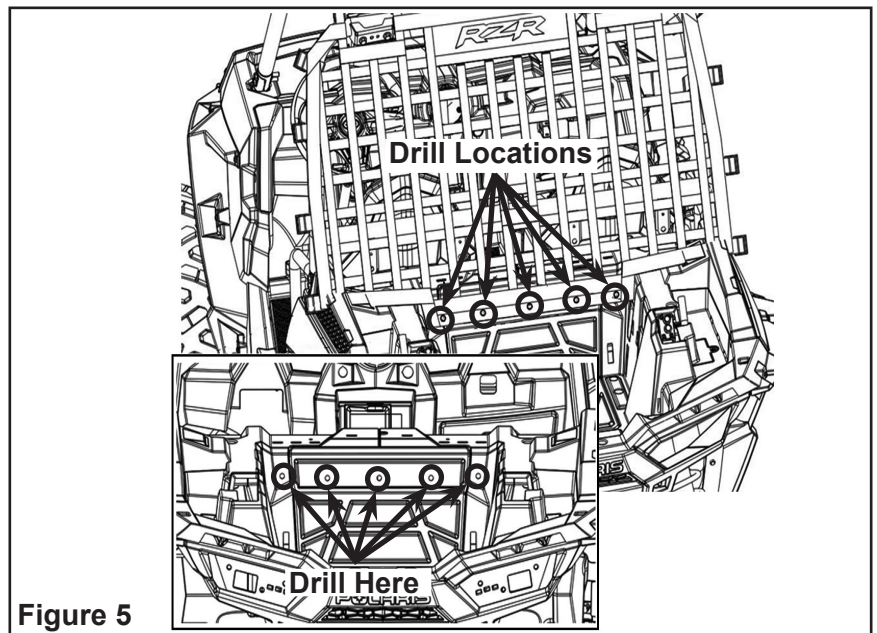
For Race Panel

1. Install the rear panel race (PN 2635080) onto the ROPS and strap loosely. Figure 4.



2. Place the rear panel race (PN 2635080) onto the vehicle body. Drill the holes at five locations to install the rivets. Figure 5.

NOTE: Ensure not to damage parts of the vehicle while drilling.



3. Attach the rear panel race (PN 2635080) at five locations with rivets and tighten the straps. Figure 6.

