

INTRUSION BAR KIT

P/N 2879181

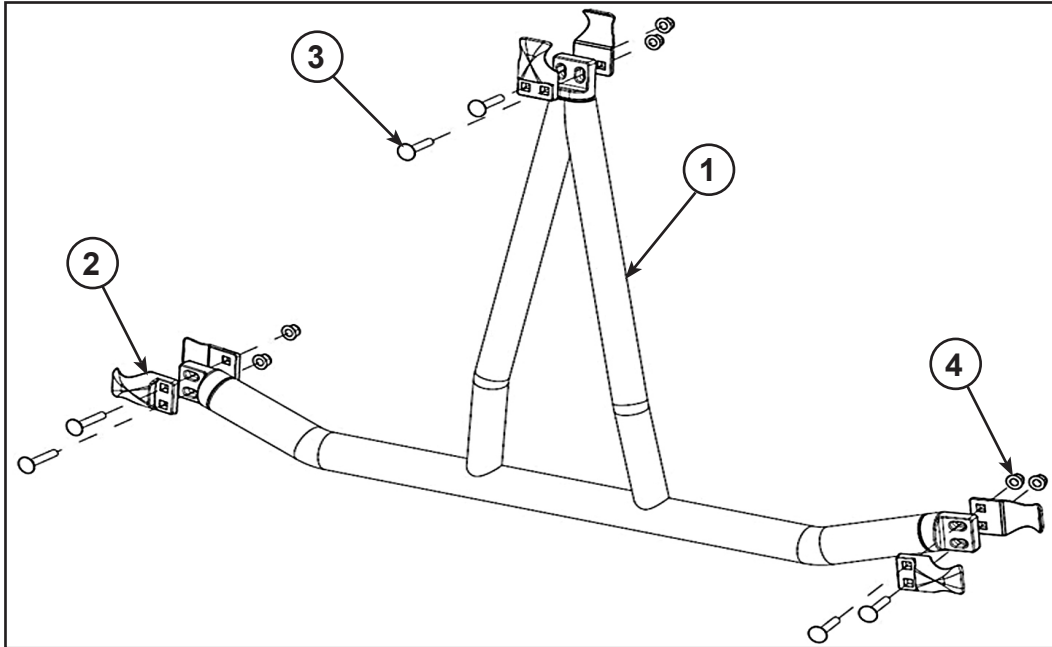


POLARIS®

Application

RZR XP 1000

Before you begin, read these instructions twice and check to be sure all parts and tools are accounted for. Please retain these installation instructions for future reference and parts ordering information.



Kit Contents:

<u>Ref</u>	<u>Qty</u>	<u>Part Description</u>	<u>Part Number</u>
1	1	Weld Support	1020140
2*	6	Intrusion Bar Clamp	5633088
3*	6	Carriage Bolt-M8x1x55 MM	-
4*	6	Flange Nut-M8x1.25, Nyloc-Olive	7547332
	1	Instructions	9924795

Items marked (*) are included in the Hardware Kit PN 2205211.

Tools Required:

Safety Goggles

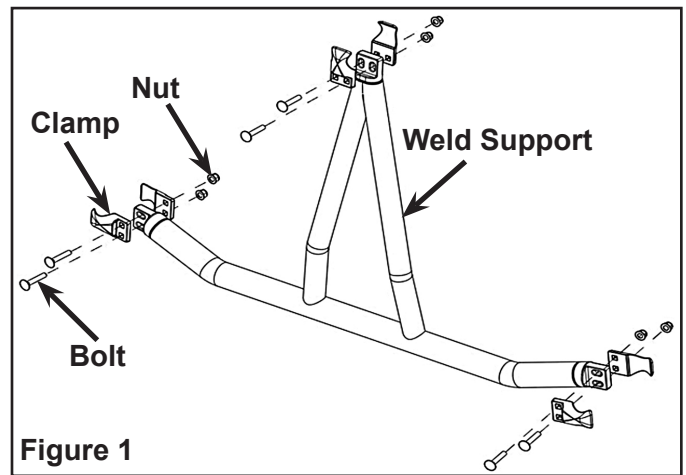
Metric Socket Set and Ratchet

APPROXIMATE ASSEMBLY TIME: 10-15 minutes

IMPORTANT: Your Polaris INTRUSION BAR is exclusively designed for your vehicle. Please read the installation instructions thoroughly before beginning. Installation is easier if the vehicle is clean and free of debris. For your safety and to ensure a satisfactory installation, perform all installation steps correctly in the sequence shown.

INSTALLATION INSTRUCTIONS:

1. Place the vehicle in "PARK" and turn the key to "OFF" position. Remove the key from the vehicle.
2. Mount the clamps (PN 5633088) onto weld support (PN 1020140) loosely with carriage bolts and nuts (PN 7547332) at six locations. Figure 1.



3. Mount the weld support assembly onto the ROPS structure and tighten the carriage bolts. Torque to 16 ft. lbs. (21.6 Nm). Figure 2.

