

RZR HALF DOORS KIT

P/N 2879614



Application

MODEL YEAR 2011 AND NEWER RZR (NOT RZR 4)

Before you begin, read these instructions twice and check to be sure all parts and tools are accounted for. Please retain these installation instructions for future reference and parts ordering information.

This Kit Includes:

<u>Qty</u>	<u>Part Description</u>	<u>Part Number</u>
1	Weld-Door, RZR, RH	1019723 Pre-assembled
1	Weld-Door, RZR, LH	1019724 Pre-assembled
1	Weld-Front Mount, RH	1019721
1	Weld-Front Mount, LH	1019722
1	Door-Skin, AL, RZR, RH	5257745 Pre-assembled
1	Door-Skin, AL, RZR, LH	5257746 Pre-assembled
1	Net-Half Door,RZR	2685137 Partially Assembled (LH and RH)
1	Cover-Latch, Half Door, LH	5255460 Pre-assembled
1	Cover-Latch, Half Door, RH	5255461 Pre-assembled
2	Weld-Catch Bracket, RZR, RH	1019725 Pre-assembled
2	Weld-Catch Bracket, RZR, LH	1019726 Pre-assembled
1	LH Striker Bracket	1018175
1	RH Striker Bracket	1018176
2	Bumper Door, Stop	5450577
2	M6x1x20mm Torx Head Bolt	-
2	M6x1 U-Nut	-
4	M8x1.25x25mm Torx Head Bolt	-
2	M8 Washer	7556305
4	M8x1.25 Nylock Nut	-
16	Washer	7556026
1	K-Latch, RH, RZR,Door	2205059
1	K-Latch, LH, RZR,Door	2205060
2	Actuator, Latch, Half	5439268
2	Clip, Latch Cable, Half	5439269
22	Screw-TXBH-M6x1.0x16 8	7519748
6	Rivet-3/16 Bulbex .118-393	7662170
4	Ring-Retaining, EXT, 3/8	7710415
1	Instructions	9924618

Additional Service Kits Available to Order:

2205240-LH DOOR LATCH KIT

<u>Qty</u>	<u>Part Description</u>	<u>Part Number</u>
1	Latch and Cable	2205060
3	Rivet-3/16 Bulbex .118-393	7662170
1	Actuator, Latch, Half	5439268
1	Clip, Latch Cable Half	5439269
2	Bolt-1/4-20x7/8, Hxhd, Flg, w/Patch	-
1	Weld Catch Bracket, LH	1018175
2	Bolt-M8-1x25,Txbh	-
2	Nut-M8-1,Hxhd, Flg, w/Nylock	-
1	Bumper-Door, Stop	5450577
1	Washer	7556305

2204848-RH DOOR LATCH KIT

<u>Qty</u>	<u>Part Description</u>	<u>Part Number</u>
1	Latch and Cable	2205059
3	Rivet-3/16 Bulbex .118-393	7662170
1	Actuator, Latch, Half	5439268
1	Clip, Latch Cable Half	5439269
2	Bolt-1/4-20x7/8, Hxhd, Flg, w/Patch	-
1	Weld Catch Bracket, RH	1018176
2	Bolt-M8-1x25,Txbh	-
2	Nut-M8-1,Hxhd, Flg, w/Nylock	-
1	Bumper-Door, Stop	5450577
1	Washer	7556305

2205241-DOOR HINGE KIT

<u>Qty</u>	<u>Part Description</u>	<u>Part Number</u>
2	Weld-Hinge Bracket, RZR, RH	1019726
2	Weld-Hinge Bracket, RZR, LH	1019725
12	Screw-Hxfl-M8x1.25x13	-
16	Washer-10x14.75x1.5	7556026
4	Ring-Retaining, EXT, 3/8	7710415

2205242-DOOR HARDWARE SVC KIT

<u>Qty</u>	<u>Part Description</u>	<u>Part Number</u>
2	M6 U-Nut	-
2	Bolt-M6-1x20, Txbh	-
22	Screw-Txbh-M6x1.0X16 12.9 ZPB	7519748
18	Nut-M6-1, Hxhd, Flg, w/Nylock	-
4	Lock, 6MMX9.4MMX16MM-SS	7555949

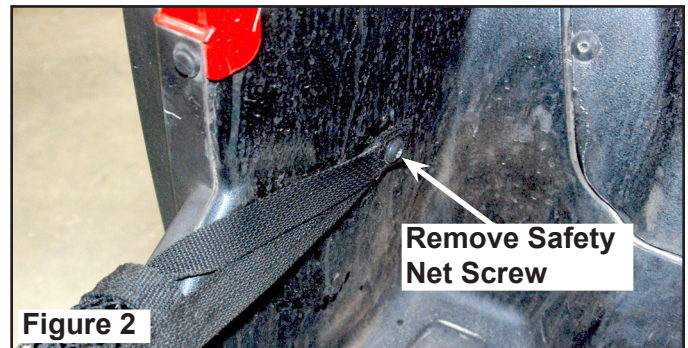
Tools Required:

T27 Torx Wrench	M10 Ratchet	Pliers
M12-M13 Open Ended Wrench	5/16" Hex Bit	

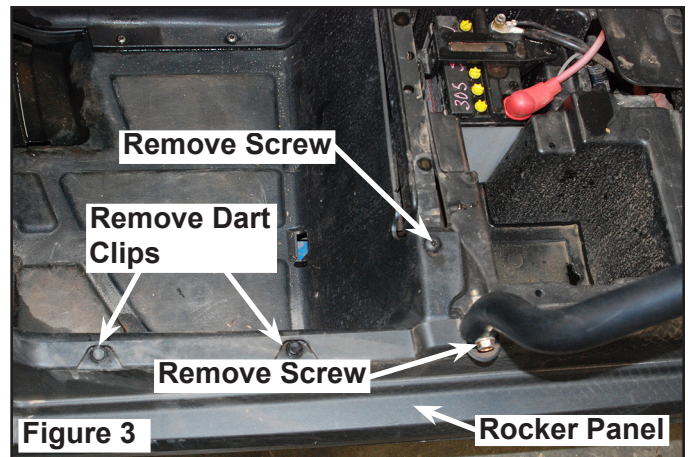
IMPORTANT: For your safety, and to ensure a satisfactory installation, perform all installation steps correctly in the sequence as shown on the attached instructions. Please wear safety glasses while performing the steps in the following instructions.

INSTALLATION INSTRUCTIONS

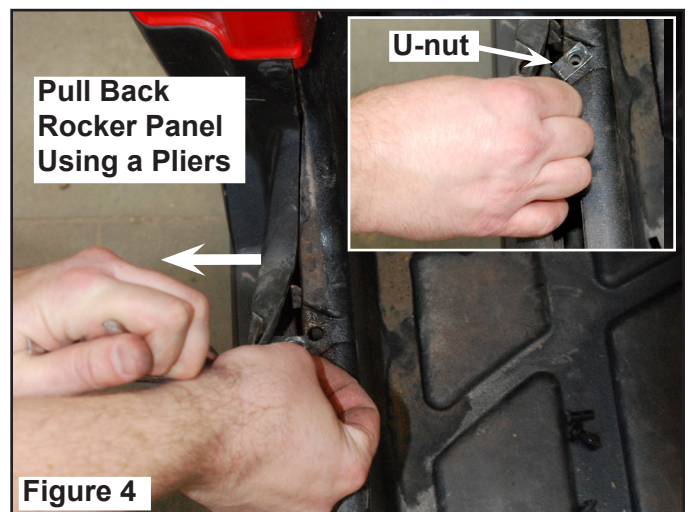
1. Turn off vehicle and put into **PARK**.
2. Remove seats.
3. Unclip the nets from the LH front cab frame.
4. Remove the two bottom LH safety net screws from the vehicle floor. Figure 1 and Figure 2.



5. From the LH rocker panel, remove one screw and using a pliers the two dart clips shown in Figure 3. Save fastener for re-assembly.



6. Using a pliers, pull back rocker panel to expose front hole. Slide U-nut over the front hole. Figure 4.



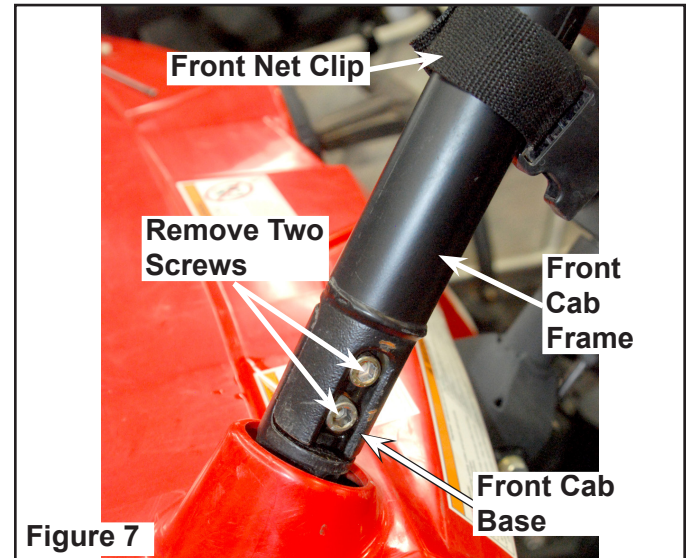
7. Press rocker panel back in place and put dart clip removed in Step 5 back into the second hole. Figure 5.



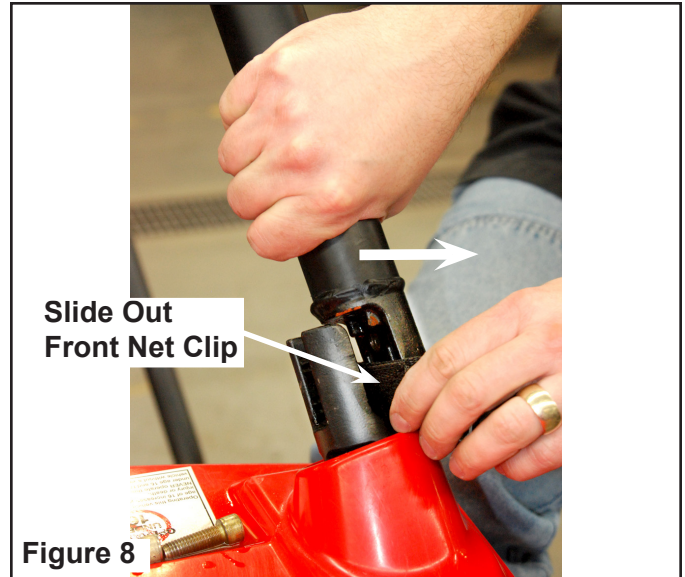
8. Undo the rear safety net strap buckle and pull strap through the bracket on the back cab frame. Figure 6.



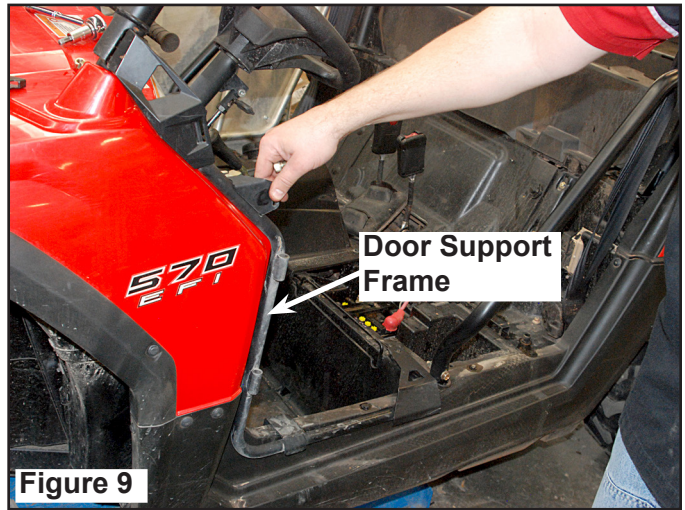
9. Remove two 5/16 bolts with wrench from the front cab frame and save for re-assembly. Figure 7.



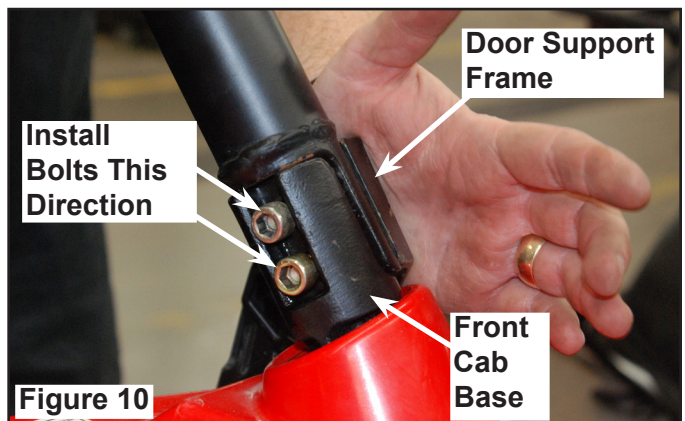
10. Pry front cab frame bar apart from front cab frame base and slide out front safety net clip. Figure 8.



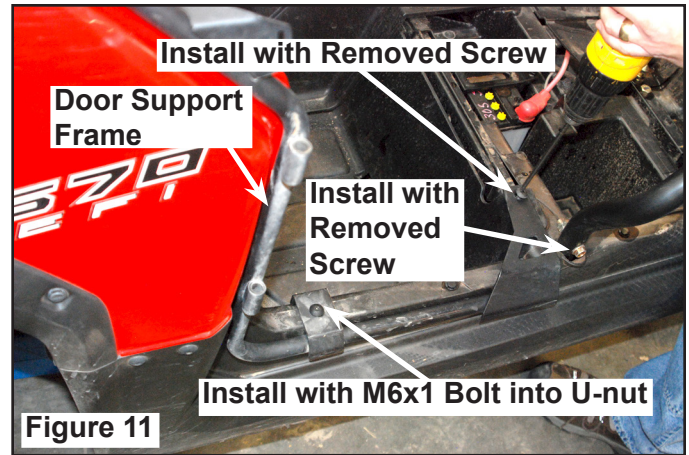
11. Set door support frame on top of rocker panel as shown in Figure 9.



12. Install the door support frame to the front cab base using the bolts removed from Step 10, in the opposite direction they were removed. Torque bolts to 25-28 ft. lbs. (34-38 Nm). Figure 10.



13. Using the screw removed at Step 5, install the door support into the hole the screw was removed. Using M6x1 bolt included in kit install the door support frame into the hole the U-nut was placed. Figure 11.

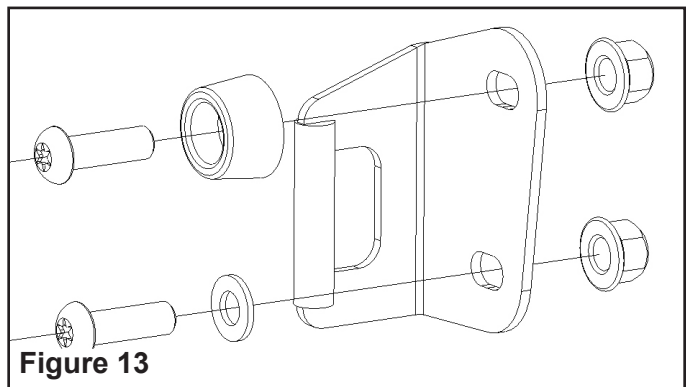


14. Remove the upper bolt from the LH side bar. Figure 12.

CAUTION: Do not remove side bars.



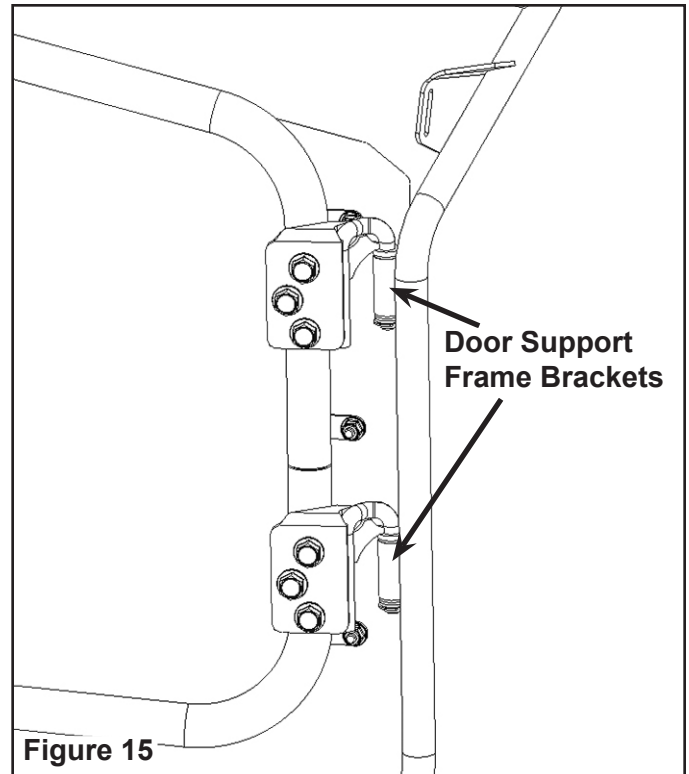
15. Mount striker plate into the back cab frame bracket by using new M8 bolts, washers and nut supplied in kit. Washers are installed under the head of the bolt only, not under the nut. Finger tighten fasteners until striker plate has been adjusted. Figure 13.



16. Place spacer washers onto the door hinge posts. Figure 14.



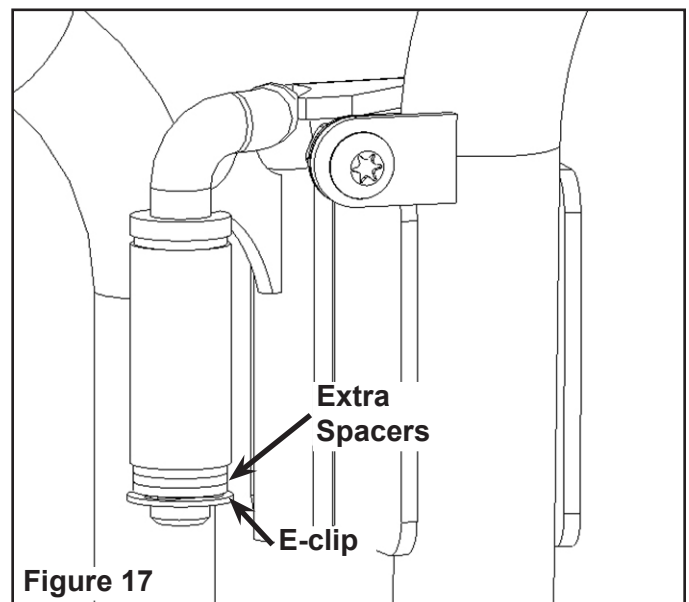
17. Slide door onto the door support frame brackets.
Figure 15.



18. Open and close door to be sure it does not rub on the rocker plate. If the doors rubs take remaining spacers to lift up door until it swings freely.
Figure 16.
19. Adjust the striker plate until the door open and closes smoothly on it. Tighten the striker plate bolts and torque to 8 ft. lbs. (10.8 Nm).



20. Take remaining spacers and place at the bottom of the hinges and place e-clip at the bottom of post to prevent door from rattling. Figure 17.



21. Thread the safety net straps to the brackets on the front of the door support frame. Figure 18.
22. Repeat Steps 3 through 20 to install RH half door. Figure 19.

