

POLY ROOF KIT



P/N 2879442, 2882232, 2883073

APPLICATION

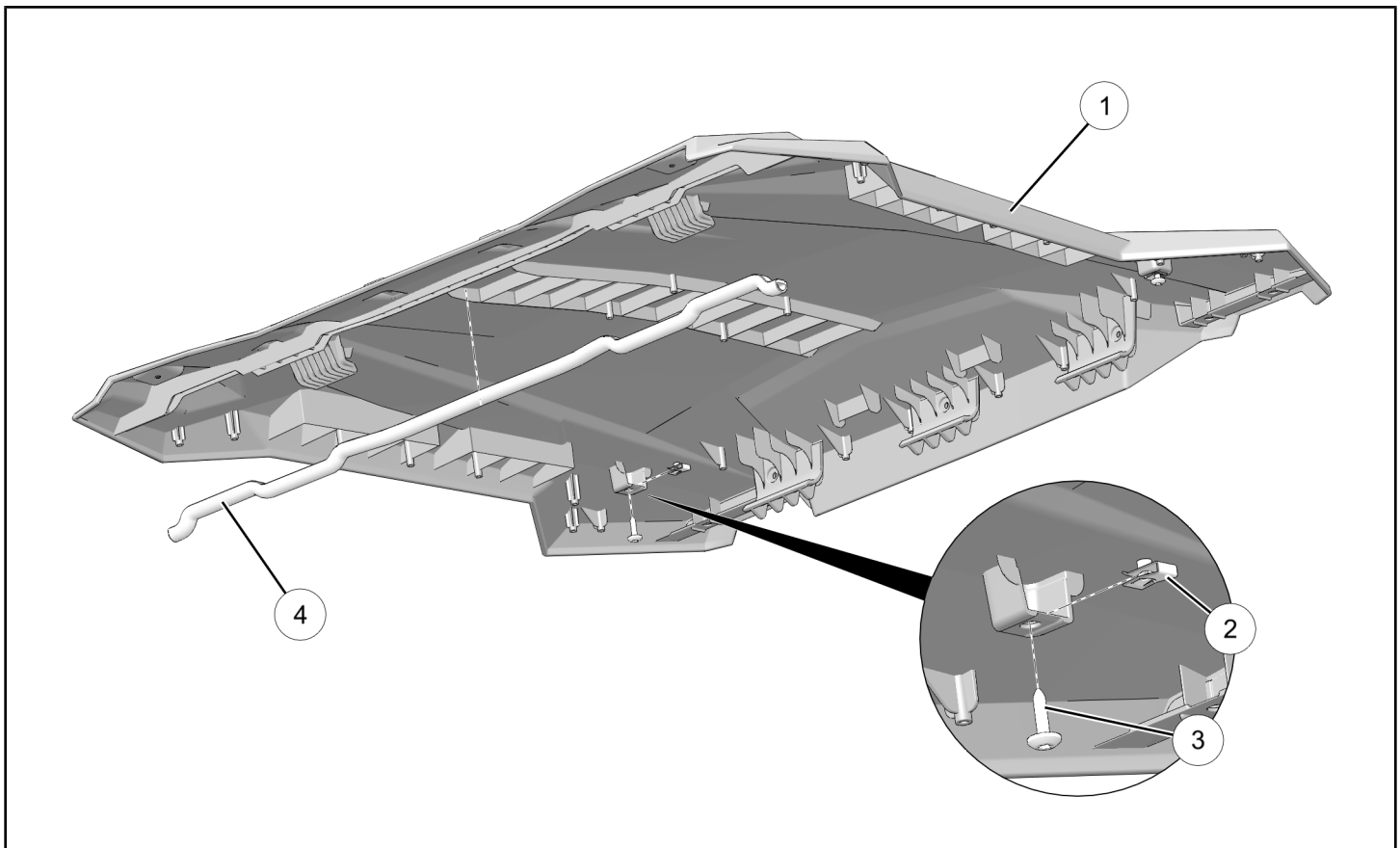
Verify accessory fitment at Polaris.com.

BEFORE YOU BEGIN

Read these instructions and check to be sure all parts and tools are accounted for. Please retain these installation instructions for future reference and parts ordering information.

KIT CONTENTS

This Kit includes:



REF	QTY	PART DESCRIPTION	PART NUMBER
1	1	Panel, Roof	5450615
2*	2	Nut, Clip	7081305
3*	2	Screw, Torx® Truss Head - M6 X 1.0 X 25	7519650
4*	1	D-seal	5522002-977
	1	Instructions	9924543

Items marked (*) are included in Hardware Kit PN 2205164.

TOOLS REQUIRED

- Safety Glasses
- Screwdriver Set, Torx®

- Socket Set, Torx® Bit
- Torque Wrench

IMPORTANT

Your POLY ROOF KIT is exclusively designed for your vehicle. Please read the installation instructions thoroughly before beginning. Installation is easier if the vehicle is clean and free of debris. For your safety, and to ensure a satisfactory installation, perform all installation steps correctly in the sequence shown.

ASSEMBLY TIME

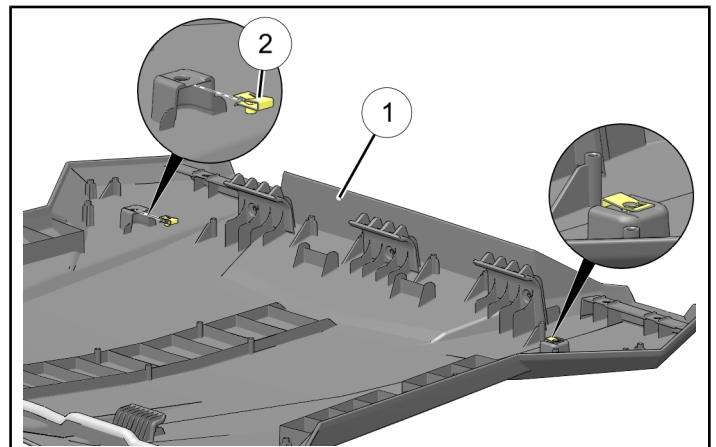
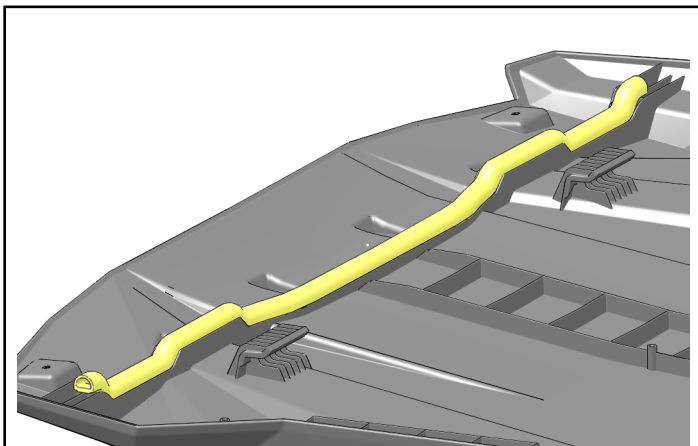
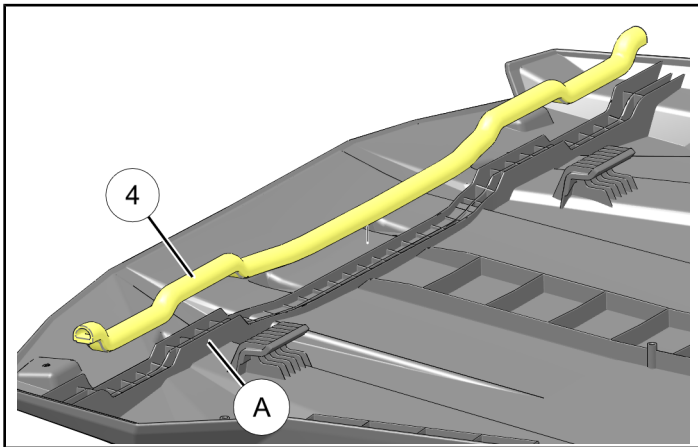
Approximately 10 minutes

NOTE

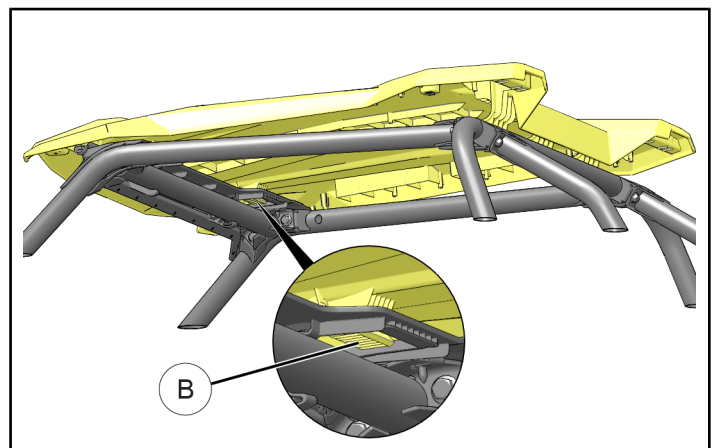
Additional time may be required to accommodate other accessories.

INSTALLATION INSTRUCTIONS

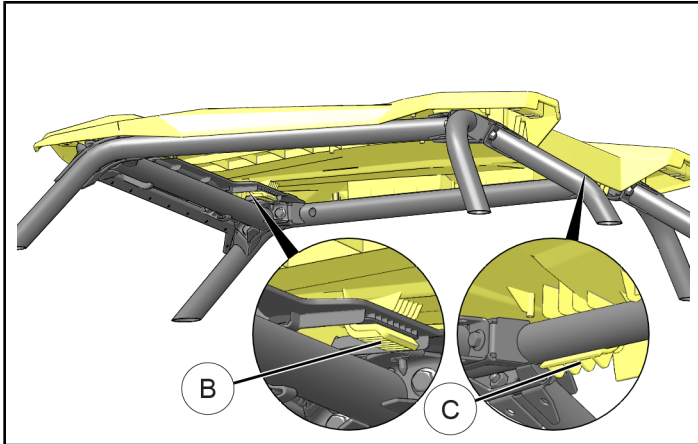
1. Shift vehicle transmission into "PARK". Turn key to "OFF" position and remove from vehicle.
2. Lay roof panel ① upside down on protective surface.
3. Peel adhesive backing from D-seal ④, then apply inside channel ⑤ at front of roof panel ① (ROPS visor contact location). Press firmly into place.
4. Install two clip nuts ② to standoffs at rear of roof panel ①. Ensure proper orientation: Threaded portion of clip nut is located INSIDE standoff.



5. Lay roof panel ① on top of ROPS, lowering two front hooks ③ into slots on ROPS visor.



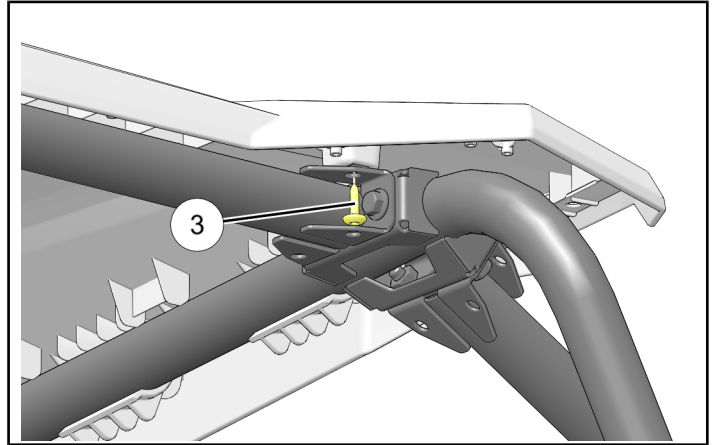
6. Slide roof panel ① rearward until front hooks lock into ROPS visor, then press rear of panel down until three hooks ③ lock over B-pillar cross-member.



7. Secure left rear corner of roof panel ① to ROPS using screw ③. Repeat for right rear corner. Torque screws to specification.

TORQUE

8 ± 1 ft. lbs. (11 ± 1 Nm)



⚠ WARNING

If transporting vehicle in non-enclosed trailer then vehicle must FACE FORWARD, or roof must be removed. Failure to comply may allow airflow, vibration, or other factors to separate roof from vehicle and cause an accident, resulting in serious personal injury or death.

FEEDBACK FORM

A feedback form has been created for the installer to provide any comments, questions or concerns about the installation instructions. The form is viewable on mobile devices by scanning the QR code or by clicking [HERE](#) if viewing on a PC.

FEEDBACK FORM

