

# REAR GLASS PANEL KIT



**P/N 2879013, 2879015**

## APPLICATION

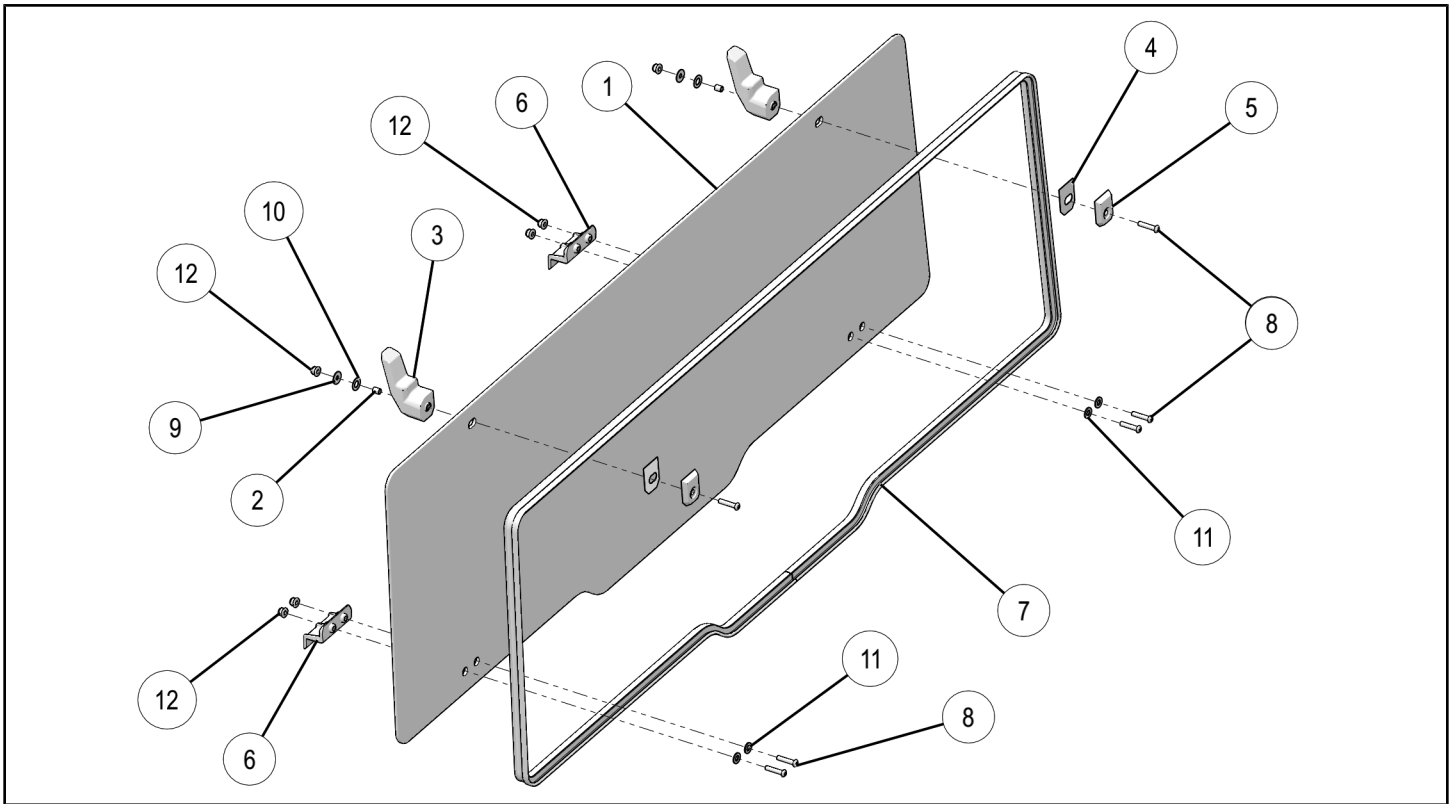
Verify accessory fitment at [Polaris.com](http://Polaris.com).

## BEFORE YOU BEGIN

Read these instructions and check to be sure all parts and tools are accounted for. Please retain these installation instructions for future reference and parts ordering information.

## KIT CONTENTS

This Kit includes:



REF	QTY	PART DESCRIPTION	PART NUMBER
1	1	Rear Glass Panel, Lock & Ride®	-
2	2	Sleeve - 7.0 X 8.0 X 9.8 (Kit 2879013 only)	5337247
3	2	Handle, Lock & Ride®	5439915
4	2	Shim, Lock & Ride®	5439916
5	2	Base, Lock & Ride®	5439917
6	2	Mount, Lock & Ride®	5439918
7	1	Seal, Rear Panel	5521839
8	6	Screw, Torx® Button Head - M6 X 1.0 X 30	7519745
9	2	Washer - 19 X 6.4 X 1 mm	7556740

REF	QTY	PART DESCRIPTION	PART NUMBER
10	2	Washer, Wave - 0.390 X 0.750 X 0.020 (Kit 2879013 only)	7555795
11	4	Washer - 8.4 X 16.0 X 1.6 (Kit 2879013 only)	7555988
12	6	Nut, Flange - M6	7547475
	1	Instructions	9924231

## TOOLS REQUIRED

- Safety Glasses

## IMPORTANT

Your REAR GLASS PANEL KIT is exclusively designed for your vehicle. Please read the installation instructions thoroughly before beginning. Installation is easier if the vehicle is clean and free of debris. For your safety, and to ensure a satisfactory installation, perform all installation steps correctly in the sequence shown.

## INSTALLATION INSTRUCTIONS

### NOTE

Polaris recommends that two people install this panel.

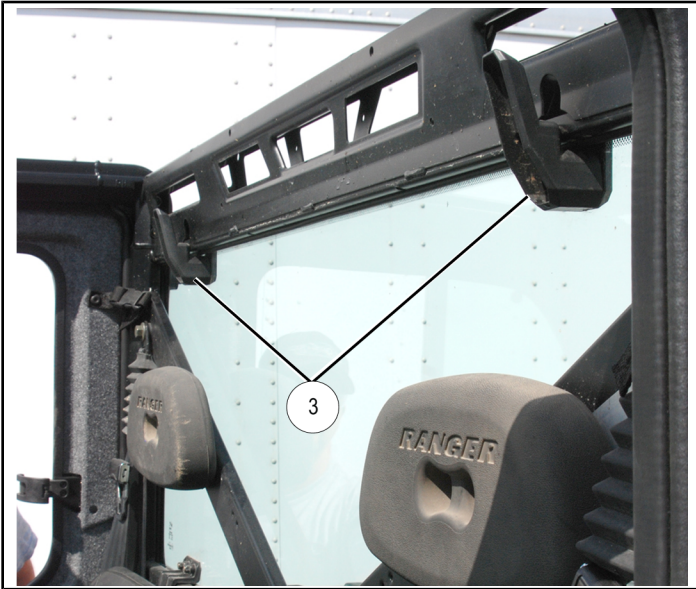
1. Shift vehicle transmission into "PARK". Turn key to "OFF" position and remove from vehicle.
2. Rotate both handles ③ counterclockwise to unlocked position as shown.



3. Lower panel brackets ⑥ into vehicle frame as shown, then tip upper edge of panel forward into ROPs. Ensure panel is centered from right to left.



4. Rotate handles ③ clockwise to locked position as shown.



5. To remove, rotate handles ③ counterclockwise to unlocked position, tip upper edge of panel slightly rearward, then lift panel brackets ⑥ from vehicle frame.