

STROBE LIGHT KIT



P/N 2873014

APPLICATION

Verify accessory fitment at Polaris.com.

BEFORE YOU BEGIN

Read these instructions and check to be sure all parts and tools are accounted for. Please retain these installation instructions for future reference and parts ordering information.

KIT CONTENTS

This kit contains parts for installation of the strobe light only. Prior installation of a Rear Accessory Harness Kit, PN 2873868, 2875013, or equivalent, is also required (sold separately).

This Kit includes:

REF	QTY	PART DESCRIPTION	PART NUMBER
1	1	Light, Strobe, LED	-
2	1	. Gasket	-
3	1	Bracket	-
4	1	U-bolt - 5/16 X 1-1/2 X 2-3/16	7517972
5	2	. Nut	-
6	2	Cap, Rubber - 7/32 ID	5412099
7	2	Screw, Phillips Pan Head - #10-24 X 5/8	7511989
8	2	Washer, Lock - #10	7552615
9	2	Nut, Lock - #10-24	7541925
10	1	Cable Tie (not shown)	7080539
11	1	Switch, Rocker, SPST (not shown)	-
	1	Instructions	9917333

TOOLS REQUIRED

- Safety Glasses
- Cutting Tool
- Pliers, Push Pin Rivet*
- Drill*
- Drill Bit: 3/16 inch, 5/8 inch*
- Screwdriver, Phillips
- Screwdriver Set, Torx®*
- Socket Set, Metric*
- Socket Set, SAE

* Tool requirement dependent on specific installation.

IMPORTANT

Your Strobe Light Kit is exclusively designed for your vehicle. Please read the installation instructions thoroughly before beginning. Installation is easier if the vehicle is clean and free of debris. For your safety, and to ensure a satisfactory installation, perform all installation steps correctly in the sequence shown.

ASSEMBLY TIME

Approximately 30 minutes

INSTALLATION INSTRUCTIONS

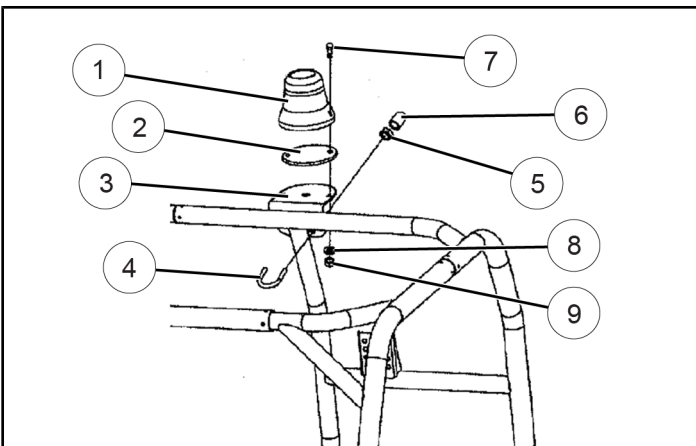
1. Shift vehicle transmission into "PARK". Turn key to "OFF" position and remove from vehicle.
2. If not already performed, remove seat bottom cushion and disconnect black negative (-) cable from battery.
3. Gain Access.
 - a. Remove or open hood, as applicable.
 - b. FULL-SIZE RANGER: Remove or open windshield, if installed, to permit upper dash removal.
4. Strobe light may be installed to ROPS or roof as desired. Determine specific mounting location with special attention to the following:
 - Driver operation of vehicle
 - Driver visibility
 - Adequate clearance between fasteners and other vehicle components on underside of mounting surface (as applicable)
 - Access to underside of mounting surface for fastener installation (as applicable)

NOTE

If light is installed to roof, mounting location should be within 6 inches from rear edge of roof.

5. Install strobe light.

ROPS INSTALLATION



- a. Align gasket ② with base of strobe light ① and fastener holes. Trim excess gasket material as required.
- b. Install strobe light ① and gasket ② to bracket ③ using two each screws ⑦, washers ⑧, and nuts ⑨.
- c. Install bracket and light assembly to ROPS using U-bolt ④ and two nuts ⑤.
- d. Install two caps ⑥ to ends of U-bolt ④.

- e. On Rear Accessory Harness (sold separately) locate connector with two center pins identified as **STROBE LIGHT**. Join these two pins to connector on strobe light harness.
- f. Secure strobe light harness to vehicle using cable tie ⑩ to prevent contact with hot components, sharp edges, or moving parts.

ROOF INSTALLATION

- a. Using gasket ② as template, and positioning gasket within 6 inches from rear edge of roof, mark and drill two 3/16 inch mounting holes, and one 5/8 inch center wiring hole, into roof. Ensure marked holes correspond to strobe light.

IMPORTANT

Control drill depth to prevent damage to underlying structure or components.

- b. Route strobe light harness down through wiring hole, then install strobe light ① and gasket ② to roof using two each screws ⑦, washers ⑧, and nuts ⑨.
 - c. On Rear Accessory Harness (sold separately) locate connector with two center pins identified as **STROBE LIGHT**. Join these two pins to connector on strobe light harness.
 - d. Secure strobe light harness to vehicle using cable tie ⑩ to prevent contact with hot components, sharp edges, or moving parts.
6. Install switch.

MID-SIZE RANGER

- a. Carefully cut or remove, as applicable, one rectangular switch blank from control panel.

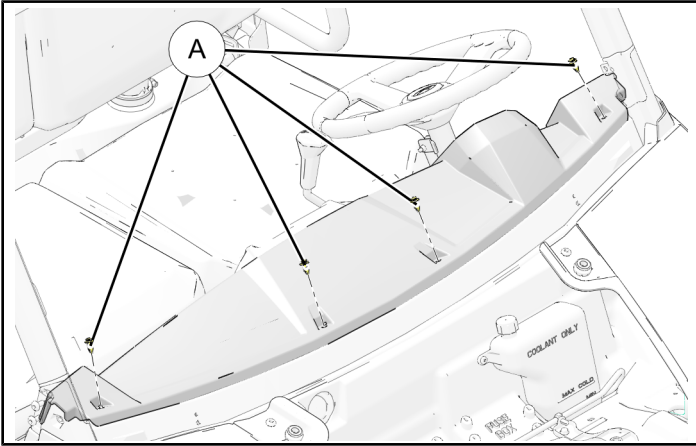
NOTE

Any open location may be used.

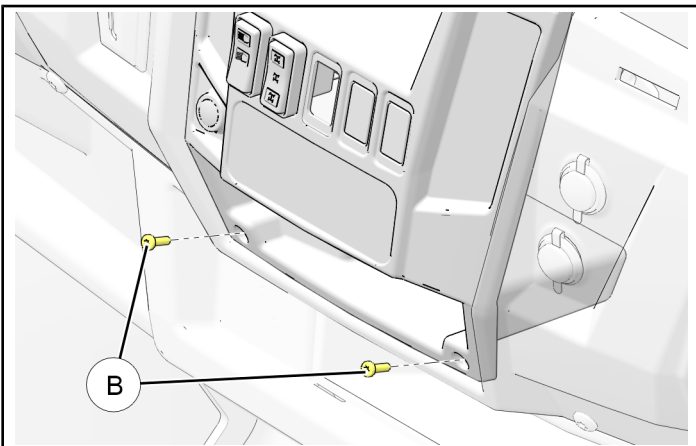
- b. Route connector identified as **STROBE LIGHT SWITCH** on Rear Accessory Harness (sold separately) through control panel and connect to switch ①, then install switch to panel.

FULL-SIZE RANGER

- a. Remove upper dash panel by removing four push pin rivets **A** as shown. Retain rivets.



- b. Detach existing control panel by removing two screws **B** from lower edge of control panel as shown. Retain screws.



- c. Carefully pull control panel away from main dash panel. If necessary for access, label and disconnect other electrical harnesses from control panel switches.
- d. Carefully cut or remove, as applicable, one rectangular switch blank from control panel.

NOTE

Any open location may be used.

- e. Route connector identified as **STROBE LIGHT SWITCH** on Rear Accessory Harness (sold separately) through control panel and connect to switch **1**, then install switch to panel.
- f. If other electrical harnesses were disconnected in step b., reconnect them now.
- g. Reinstall control panel using two retained screws **B**.

7. Restore access.
8. If ALL electrical connections are complete, then reconnect black negative (-) cable to battery and reinstall seat bottom cushion.