

# VICTORY REPLACEMENT FUEL TANK KIT KIT PN 2202064



## Application

Victory Model Year 2000 Models: V00CB15DC, V00CB15DD, V00CB15DE, V00CB15LC, V00CB15LD, V00CB15LE, V00CB15CC, V00CB15CD, V00CB15CE, V00CS15DC, V00CS15DD, V00CS15DE, V00CS15LC, V00CS15LD, V00CS15LE, V00CS15CC, V00CS15CD, & V00CS15DE

Before you begin, it is very important that you read and understand these instructions. Make sure you follow them exactly. Make certain all parts and tools are accounted for. Please retain these installation instructions for future reference and parts ordering information.

<u>Qty.</u>	<u>Part Description</u>	<u>Part No.</u>
1	Fuel Tank	1013342
1	Vent Line	5433958
1	Elbow-Vent Line	5411984
1	Elbow-Vent Line	5411972
1	Vent Line	5433950
1	Evap Crossover Line	5434332
1	Fuel Sender Gasket	5830193
5	M5x10mm Screw	7517725
2	Adhesive Pad	8560068
1	Instructions	9917157

## You will need to supply:

- Torque Wrench (0-50 Inch Pound)
- Female quick-connect fuel line fitting (Victory (PN 2520136))
- 2-3 ft. 3/8-inch fuel line (cut to necessary length for fuel tank draining)
- Mity-Vac or equivalent pressure pump
- Teflon thread sealant tape
- Isopropyl alcohol

## WARNING

The engine and exhaust system become very hot during operation and remains hot for a period of time after the engine is shut off. Wear insulated protection for hands and arms or wait until the engine and exhaust system have cooled before working on the machine.

## WARNING

**CARBON MONOXIDE** Never run an engine in an enclosed area. Exhaust contains poisonous carbon monoxide gas that can cause loss of consciousness and may lead to death. If you must run the engine to do some repairs, do so in an open area or with an exhaust evacuation system connected and functioning properly.

## WARNING

The engine exhaust from this product contains chemicals known to cause cancer, birth defects or other reproductive harm.

**NOTE:** Make certain motorcycle kick stand is stabilized on a flat surface.

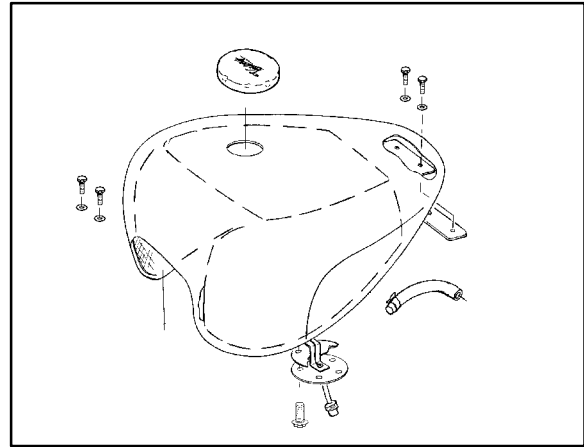
**IMPORTANT:** Perform all items correctly and completely.

## Fuel Tank Removal and Disassembly

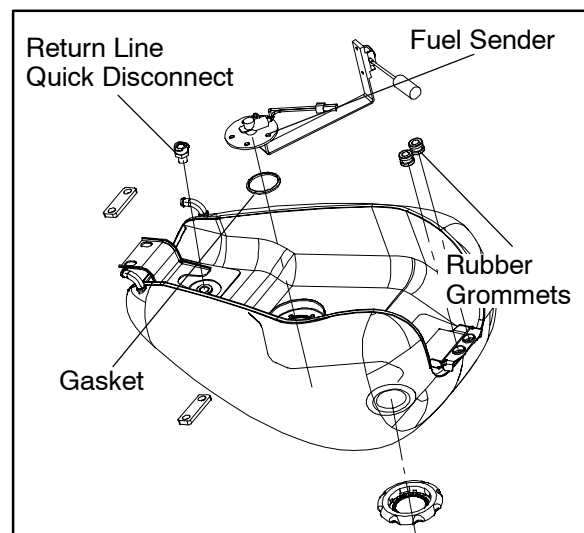
1. Remove seat and side covers.
2. Remove negative cable from battery (-) terminal.
3. Remove front and rear fuel tank fasteners.
4. Disconnect fuel supply line quick-connector at rear of tank.
5. Connect a proper length of fuel line to a female quick-connect fitting (PN 2520136) (not supplied in kit). Place the open end of the fuel line into an approved container.
6. Connect the female quick-connect fitting to the male fitting on the tank. Allow the fuel to drain completely.
7. Remove quick-connect fitting/drain hose from tank.
8. Lift rear of tank, slightly (just high enough to place hand under rear of fuel tank) and press release button on quick-connect under tank to disconnect the return fuel line.
9. With rear of tank still raised, disconnect the vent line hose from the tank and the fuel sender electrical connector from main wire harness.
10. Remove tank from vehicle and place tank upside down on padded bench.
11. Remove the five (5) fuel sender screws, fuel sender and gasket from tank. Care should be taken to avoid bending the float arm and/or bracket when removing fuel sender from tank. Set fuel sender aside for re-assembly.
12. Remove two (2) rubber grommets from front mounting bracket, rear fuel lines, in-line fuel filters, and return line quick disconnect from tank and set aside.

## Fuel Tank Assembly

13. Place replacement fuel tank upside down on a clean padded surface.



Step 3.

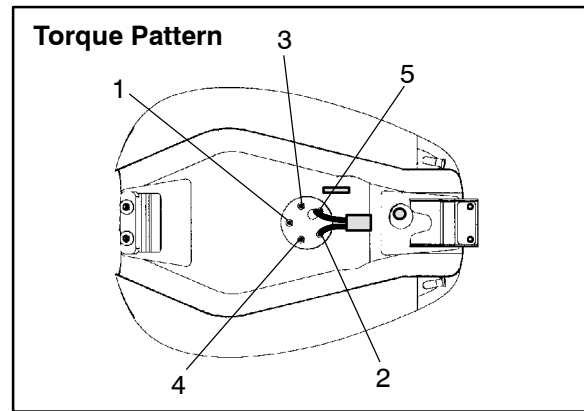


Steps 11. and 12.

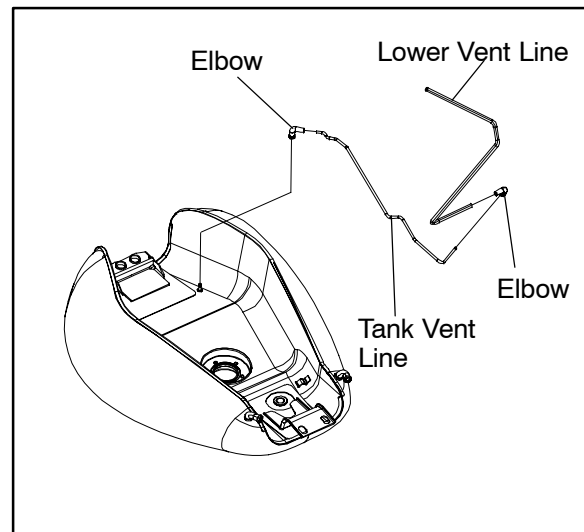
14. Place new fuel sender gasket (PN 5830193) beveled side up into groove located around the fuel sender hole in the fuel tank.
15. Install fuel sender into tank.
16. Fasten fuel sender in place using five (5) M5x10mm long cap screws (PN 2520175) found in kit. Screws to be hand tightened only.
17. Using torque wrench, tighten screws in an alternating star pattern to a torque of 21 in-lbs.
18. Apply two wraps of Teflon tape onto the fuel return line quick disconnect threads and insert into threaded hole located on the bottom rear of fuel tank. Torque connector to 12 ft-lbs. +/- 1.5 ft-lbs. with the disconnect tab facing to the rear of the tank.
19. Insert filters into the fuel tank outlet tubes and install fuel lines.
20. Screw fuel cap firmly into the tank.
21. Attach the proper size hose to allow a Mity-Vac (or equivalent pressure pump) to be connected to the fuel tank vent line fitting.
22. Pressurize the fuel tank to 8 PSI.

**Caution: Do not exceed 8 PSI.**

23. Apply a soak and water solution to fuel sender sealing area, return line quick disconnect threads, and fuel line connections. Observe each area for bubbles indicating an air leak.
24. If a leak is evident, disassemble to inspect and repair as necessary. Reassemble and retest.
25. If leak is still evident, contact Victory service department for assistance.
26. Remove Mity-Vac hose from vent tube and install rubber elbow (PN 5411972) and molded vent line (PN 5433950) to fuel tank. Vent line to be routed under clip on tank tunnel.
27. Replace original rubber vent line hose (all models except California models w/evap. system) with lower molded vent line (PN 5433958). Locate vent line so that the top of tube is positioned on the left side of shock. Use nylon tie straps to secure vent line in place.
28. Install rubber grommets into front tank bracket mounting holes.



Step 17.



Step 26.

29. Position fuel tank on the motorcycle with the rear of the tank resting on the rear frame mount.
30. Connect fuel sender wire connector to wire harness.
31. Connect fuel return line to quick disconnect.
32. Place rear rubber pad into position, install rear mounting bolts and torque to 8 ft-lbs.
33. Install front mounting bolts and torque to 8 ft-lbs.
34. Connect lower vent tube to tank vent line using rubber elbow (PN 5411972) (all models except California models w/evap. system).
35. For California models with evap. systems, install crossover tube (PN 5434332) to "Y" connector on the evap canister tube. Attach the other end of the crossover tube to the tank vent line using rubber elbow (PN 5411972).
36. Connect fuel supply line quick connect.
37. Place fuel in tank
38. Connect negative (-) battery cable
39. Turn ignition on.
40. Cycle engine run switch on and off 4 to 5 times to prime system.
41. Turn ignition off and inspect for leaks. If leaks are evident determine cause and correct as necessary.
42. Install the side cover.
43. Install seat
44. Test ride the motorcycle and inspect for proper operation. Inspect all connections for leaks. If leaks are evident determine cause and correct as necessary.

### **Tank Badge Installation**

45. Determine the position of each tank badge on the original fuel tank by measuring the distance from the top of the badge to the filler neck and the front tip of the badge to the front edge of the tank tunnel.
46. Using masking tape, mark off a frame around the area where the tank badge should go on the new fuel tank.

47. Remove the badge from the original tank using a plastic body putty trowel to wedge between the badge and fuel tank.

**Caution:** Do not pry badge from tank. The tank badge is glass coated and will crack if bent. Push trowel slowly toward the center of the badge at several locations until the badge can be pulled off by hand.

48. Mark each badge to identify which side of the tank they can off of. Tank badges must be assembled on the same side of the new tank as they were on the original tank to ensure proper fit.

49. Using your thumb, gently roll the old adhesive from the back of the tank badge.

50. Position the badge onto the new fuel tank to verify correct location and fit up. It maybe necessary to relocate badge slightly to minimize gaps or misalignment of surface contours.

51. Mark corrected position with masking tape as required.

52. Clean the backside of tank badge and area on fuel tank where the badge is to be placed with isopropyl alcohol.

53. Remove the white liner paper from one side of the adhesive pad and place onto the backside of the tank badge. Apply light pressure to the backside of the adhesive until the adhesive is bonded to the badge.

54. Remove backing paper from adhesive and place on fuel tank. Apply firm even pressure on tank badge for a minimum of 20 seconds to activate the adhesive and secure a tight bond.

55. Remove masking tape and clean residual adhesive from tank with isopropyl alcohol.

**Note:** Do not wash or place vehicle in direct sunlight for minimum of 24 hours after badge assembly.

PN 9917157 Rev 01 1/01

Printed in U.S.A.