

STARTER RELAY KIT KIT PN 2201637

Application

Victory V92C Standard Cruiser



Before you begin, read these instructions and check to be sure all parts and tools are accounted for.

Please retain these installation instructions for future reference and parts ordering information.

The contents of this kit include:

<u>Qty.</u>	<u>Part Description</u>	<u>Part No.</u>
1	Relay, Starter	2410181
1	Cable, Starter/Relay	4010309
1	Bracket, Relay	5244277
1	Connector, Relay Jumper	2460828
2	Screw, M6x12 BTNHD	7517479
4	Nut, M6 HEXHD	7547120
5	Tie Straps, Wire	7080138
1	Instruction	9915832

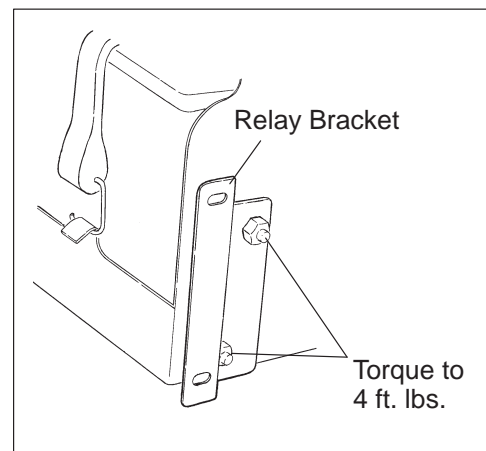
You will need to supply:

- Drill
- 1/4" Drill Bit
- Torque Wrench

IMPORTANT: Perform all items correctly and completely.

INSTALLATION INSTRUCTIONS

1. Remove the seat and the left side cover.
2. Disconnect the battery by removing the negative cable (-) from the battery terminal.
3. Disconnect all wiring from the relay and remove the relay from the battery box.
4. Assemble the relay bracket (PN 5244277) from the kit onto the battery box using the relay nuts removed in step 2. Torque the nuts to 4 ft. lbs.



Step 4.

5. Connect the relay jumper connector (PN 2460828) to the main chassis harness.

6. Remove the starter/relay cable.

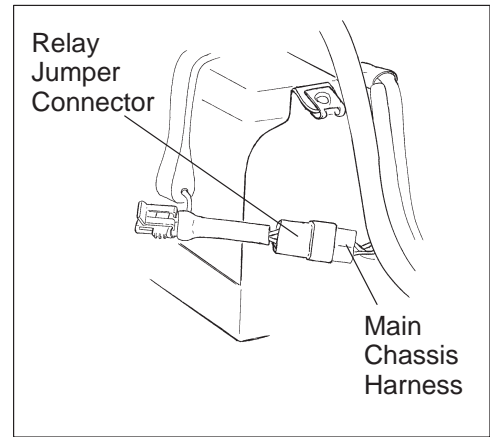
7. Install the kit's starter/relay cable (PN 4010309) to the starter. Torque the starter nut to 8 ft. lbs. Route the starter/relay cable along the cradle. Use the wire tie straps (PN 7080138) supplied in this kit to secure the cable in place at the same locations as the original wire tie straps.

8. Using a 1/4" diameter drill bit, enlarge the hole in the relay connector end of the battery cable to accommodate the 6mm stud on the replacement relay.

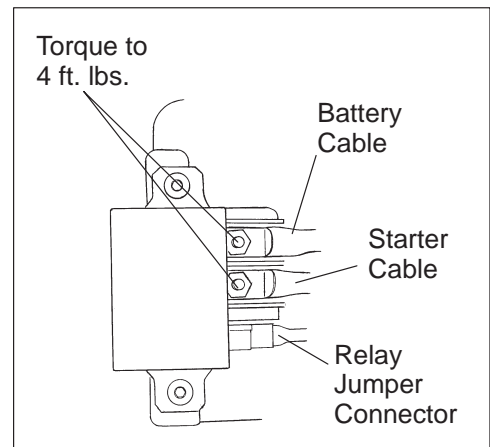
9. Connect the starter cable, battery cable, and relay jumper connector to the kit's starter relay (PN 2410181). Use M6 nuts (PN 7547120) to attach the starter and battery cables to the relay. Torque the relay nuts to 4 ft. lbs.

10. Bolt the relay to the bracket using the M6 screws (PN 7517479) and nuts (PN 7547120). Torque the screws to 4 ft. lbs.

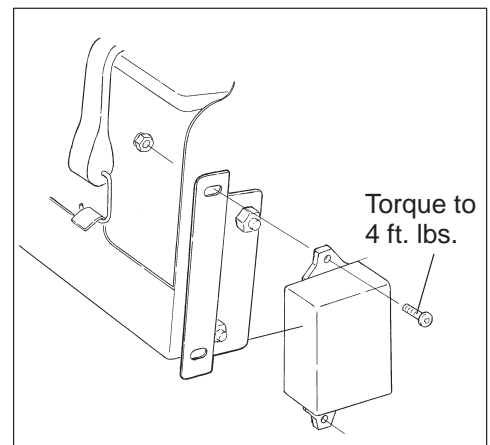
11. Reattach the negative (-) battery cable and reassemble the side cover and seat.



Step 5.



Step 9.



Step 10.