

RIDE COMMAND® AUDIO KIT



P/N 2884437

BEFORE YOU BEGIN

Read these instructions and check to be sure all parts and tools are accounted for. Please retain these installation instructions for future reference and parts ordering information.

REQUIRED, SOLD SEPARATELY

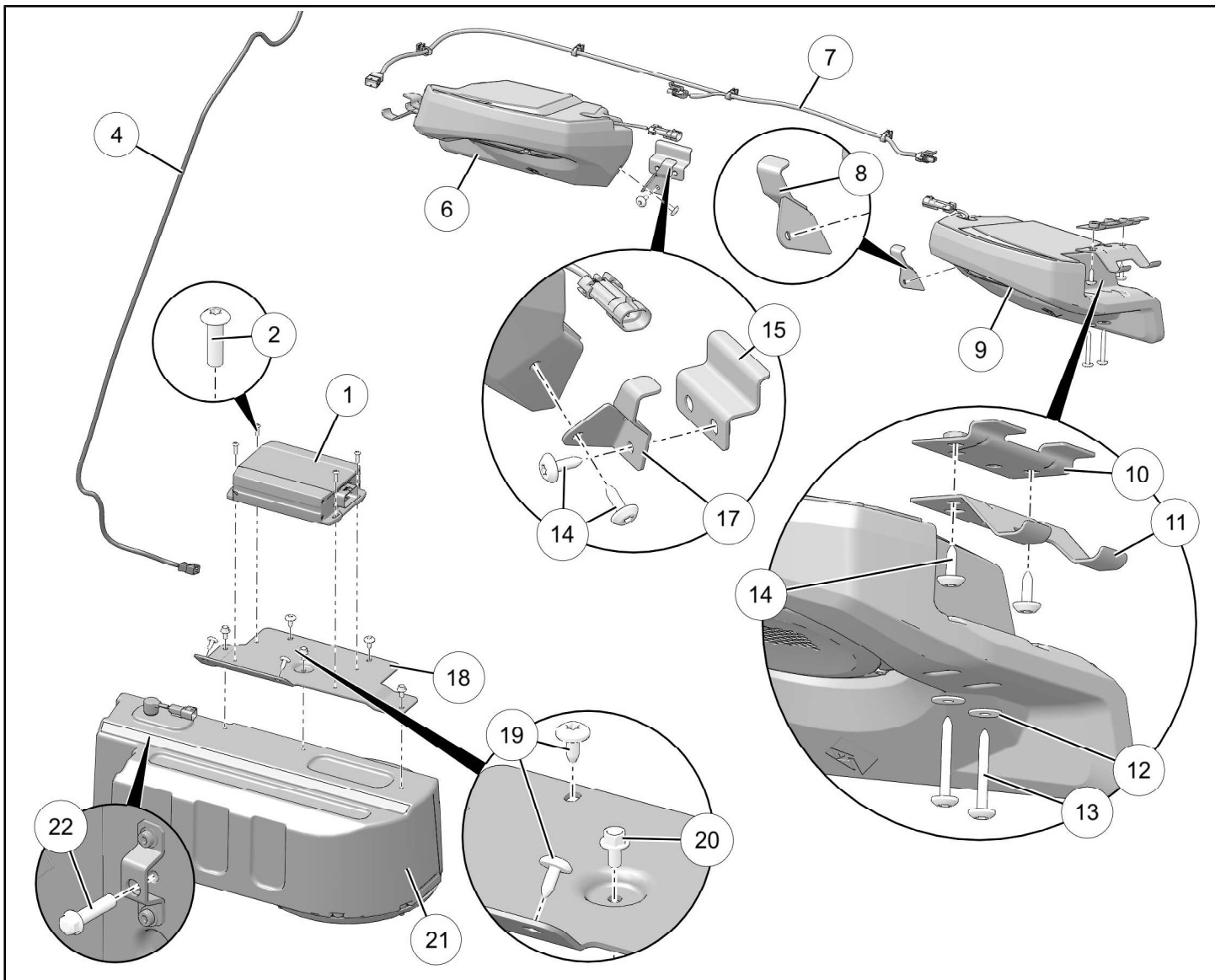
This kit only contains parts for installation of the RIDE COMMAND® Audio Kit. Installation of the RIDE COMMAND® Installation Kit, PN 2884283, is also required (sold separately).

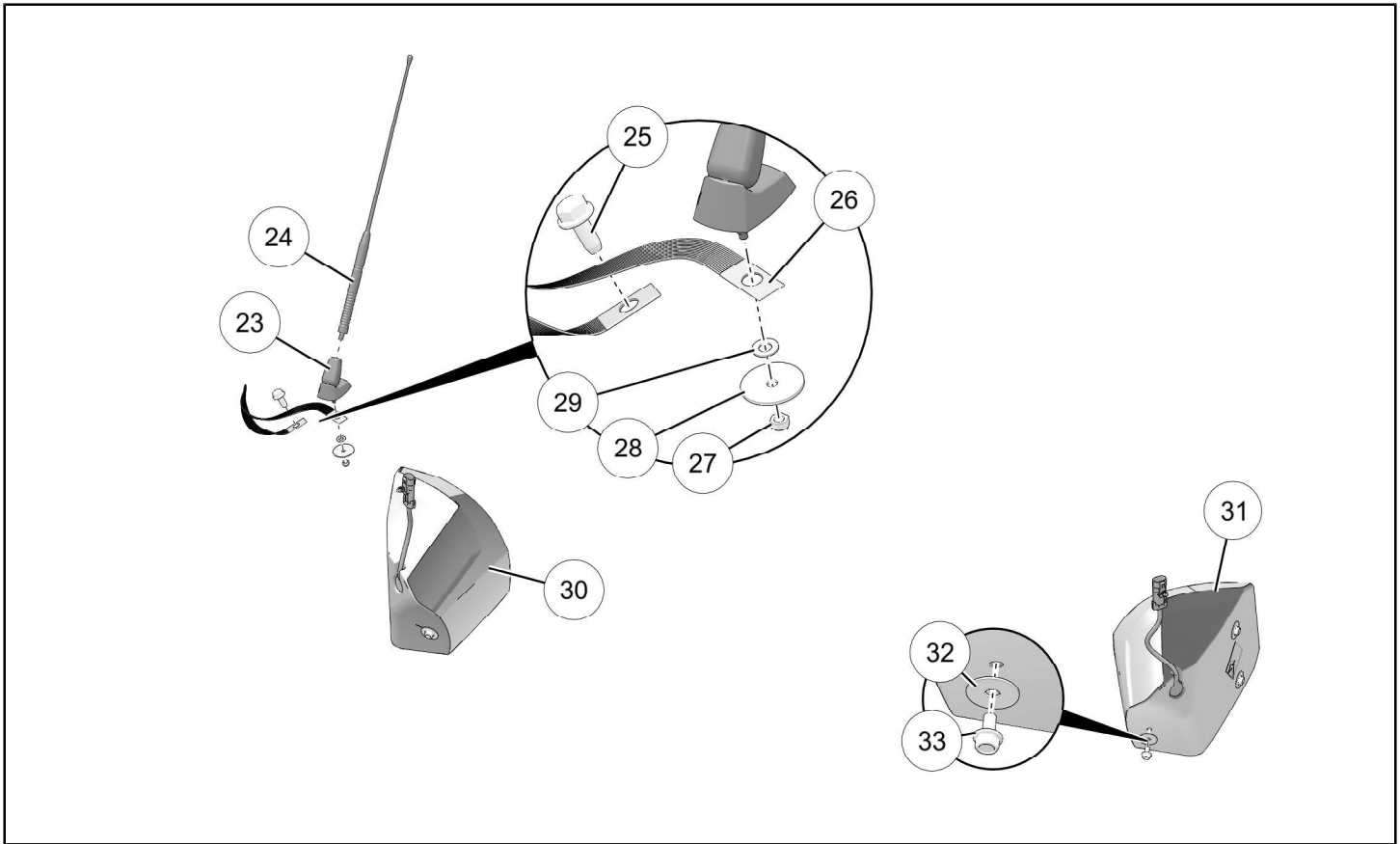
IMPORTANT

If installing **BOTH** the RIDE COMMAND® Installation Kit AND this Audio Kit at the same time, Polaris recommends you **start** with these **Audio Kit** instructions. You will be directed to applicable steps in the **Installation Kit** instructions when appropriate.

KIT CONTENTS

This Kit includes:





REF	QTY	PART DESCRIPTION	PART NUMBER
1	1	Amp	2414533
2	4	Screw, Torx® Pan Head, Self-Tapping - #10-24 X 5/8	7517756
3	3	Edge Clip (not shown)	7082403
4	1	Harness, Rear Speaker, Non-Crew	2414910
5	1	Harness, Rear Speaker, Crew (not shown)	2414911
6	1	Speaker, Rear, RH	2637785
7	1	Harness, Rear Speaker Crossover	2415216
8	1	Bracket, Rear Speaker, Inboard, LH	5268696-458
9	1	Speaker, Rear, LH	2637784
10	2	Bracket, Rear Speaker, Upper Outboard	5268204-458
11	2	Bracket, Rear Speaker, Lower Outboard	5268205-458
12	4	Washer - 6.4 X 20.0 X 1.6	7556054
13	4	Screw, Torx® Truss Head, Self-Tapping - M6 X 1.0 X 50	7519841
14	8	Screw, Torx® Truss Head, with Locking Patch - M6 X 1.0 X 20, 8.8	7519112
15	2	Bracket, Rear Speaker, Rear Inboard	5268698-458
16	-	(unused)	-
17	1	Bracket, Rear Speaker, Inboard, RH	5268697-458
18	1	Bracket, Subwoofer/Amp	5267849-329

REF	QTY	PART DESCRIPTION	PART NUMBER
19	4	Screw, Torx® Truss Head, Self-Tapping - M6 X 1.0 X 16	7518936
20	3	Screw, Hex Flange - M6 X 1.0 X 12, 8.8	7517704
21	1	Subwoofer	2637563
22	2	Screw, Hex Flange - M6 X 1.0 X 25, 10.9	7519297
23	1	Base, Antenna	4016695
24	1	Mast, Antenna	4014849
25	1	Screw, Hex Washer Head, Self-Tapping - M8 X 1.25 X 20	7519780
26	1	Ground Strap, Antenna	4016696
27	1	Nut, Hex Flange, Locking - M5 X 0.8	7547059
28	1	Washer - 5.3 X 30.0 X 1.5	7556544
29	1	Washer - 6.4 X 12.6 X 0.8	7556121
30	1	Speaker, RH	2637561
31	1	Speaker, LH	2637560
32	6	Washer - 7.1 X 25.4 X 1.3	7556329
33	6	Screw, Hex Flange - M6 X 1.0 X 12, 8.8	7517704

TOOLS REQUIRED

- Safety Glasses
- Awl/Ice Pick (or equivalent)
- Drill
- Drill Bit: 3/16 inch (5 mm), 1/4 inch (6 mm), 1/2 inch (12 mm)
- Fish Tape (or equivalent)
- Pliers, Push Pin Rivet
- Ruler
- Scissors
- Screwdriver Set, Torx®
- Socket Set, Metric
- Torque Wrench
- Wrench Set, Metric

IMPORTANT

Your RIDE COMMAND® Audio Kit is exclusively designed for your vehicle. Please read the installation instructions thoroughly before beginning. Installation is easier if the vehicle is clean and free of debris. For your safety, and to ensure a satisfactory installation, perform all installation steps correctly in the sequence shown.

HARNESSES DETAIL

REAR SPEAKER HARNESS ④⑤:

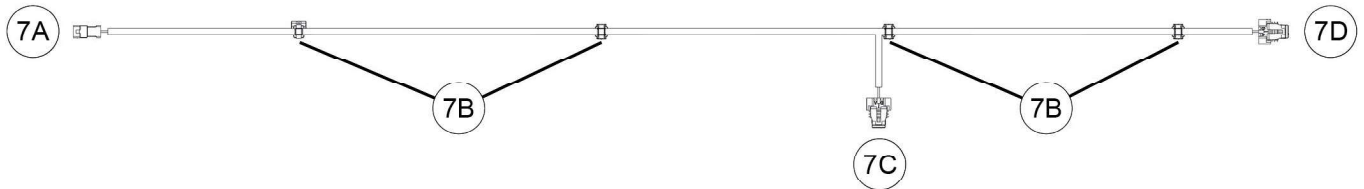
NOTE

GENERAL® 1000 rear speaker harness ④ shown; GENERAL® 4 1000 rear speaker harness ⑤ identical except for length.



REF	PART DESCRIPTION	WIRE COLOR	PIN QTY/ GENDER	CONNECTS TO
4A	Connector, Rear Speaker Signal IN	-	4 male	Audio harness ⑩, connector 16K
4B	Connector, Rear Speaker Signal OUT	-	4 female	Rear speaker crossover harness ⑦, connector 7A

REAR SPEAKER CROSSOVER HARNESS ⑦:



REF	PART DESCRIPTION	WIRE COLOR	PIN QTY/ GENDER	CONNECTS TO
7A	Connector, Rear Speaker Signal IN	-	4 male	Rear speaker harness ④, connector 4B
7B	Clip, Edge	-	-	Vehicle structure
7C	Connector, Speaker Signal OUT, RH	White*	2 female	RH rear speaker ⑥
7D	Connector, Speaker Signal OUT, LH	Gray*	2 female	LH rear speaker ⑨

* With or without black stripe.

INSTALLATION INSTRUCTIONS

VEHICLE PREPARATION

DISCONNECT BATTERY

1. Shift vehicle transmission into "PARK". Turn ignition switch to "OFF" position and remove key.

⚠ WARNING

Ensure red positive (+) battery terminal is COMPLETELY COVERED by protective boot. Accidental tool contact across both battery terminals will result in high current electrical arc, and may result in battery explosion. Death or serious injury may occur.

Black negative (-) cable MUST be disconnected from battery terminal. Failure to disconnect cable may result in electrical arc when installing connections at terminal block. Death or serious injury, or damage to vehicle or accessory, may occur.

2. Remove driver's seat (**GENERAL® 4 1000**: left rear passenger seat) and battery access cover, then disconnect black negative (-) cable from battery.

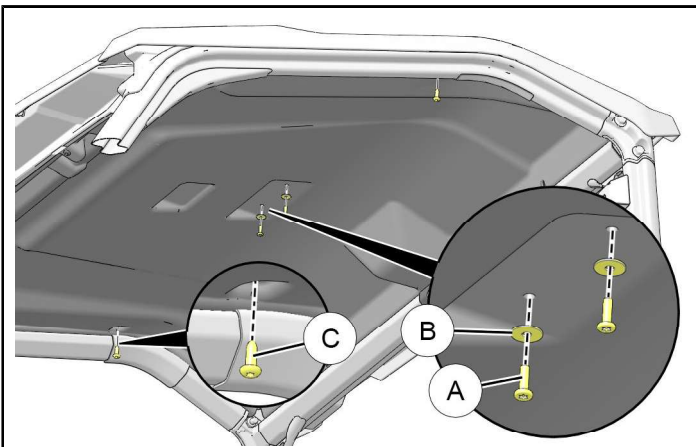
REMOVE ROOF LINER

If roof liner is NOT installed, proceed to next section. Otherwise, remove liner as follows:

NOTE

GENERAL® 1000 shown; GENERAL® 4 1000 similar.

1. If accessory interior light is installed, then remove it. Otherwise, remove and retain two each screws (A) and washers (B).

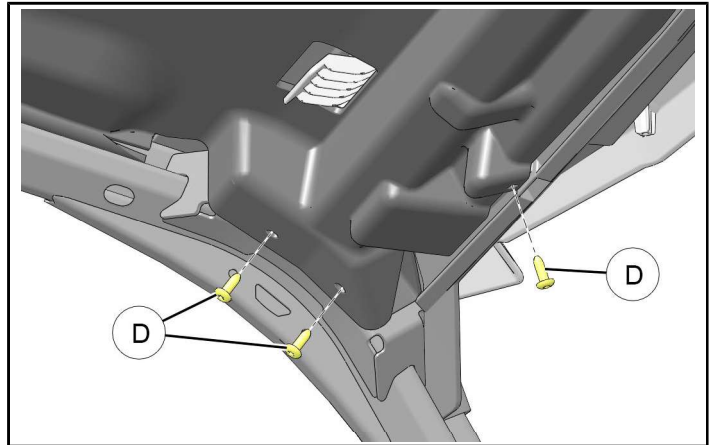


2. Remove and retain screw (C) from each side of liner.

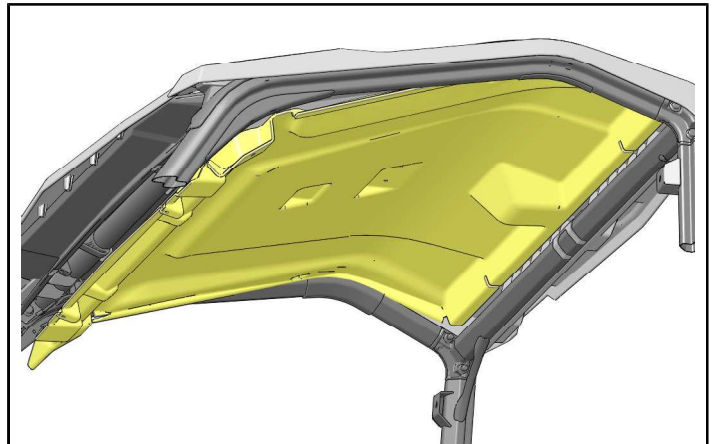
3. Remove and retain three screws (D) from each front corner of liner.

NOTE

LH side shown; RH side opposite.

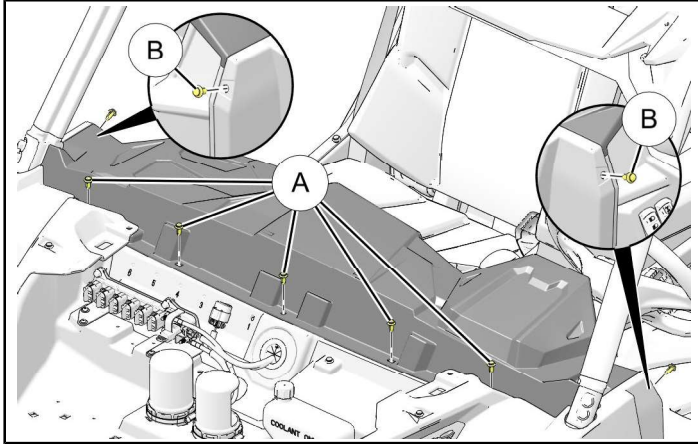


4. Carefully pull LH and RH edges of liner from between ROPS and roof seal, then remove rear edge of liner from B-pillar cross-member.

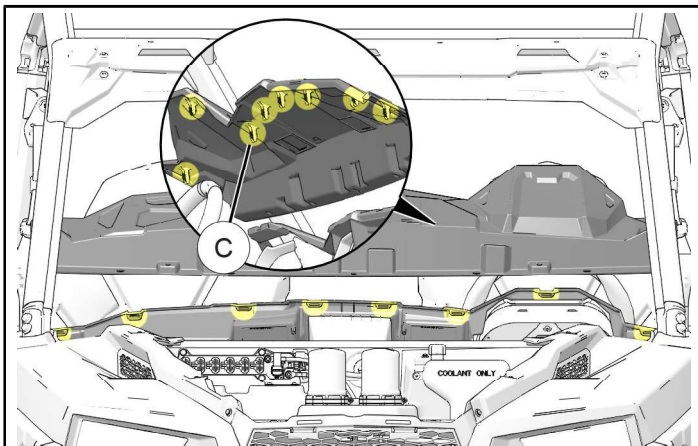


REMOVE UPPER DASH PANEL

1. Remove hood.
2. If windshield is installed, then open or remove it as required to gain access to upper dash.
3. Remove five push pin rivets **A** from front side of panel, and two push pin rivets **B** from outboard ends of panel. Retain rivets.

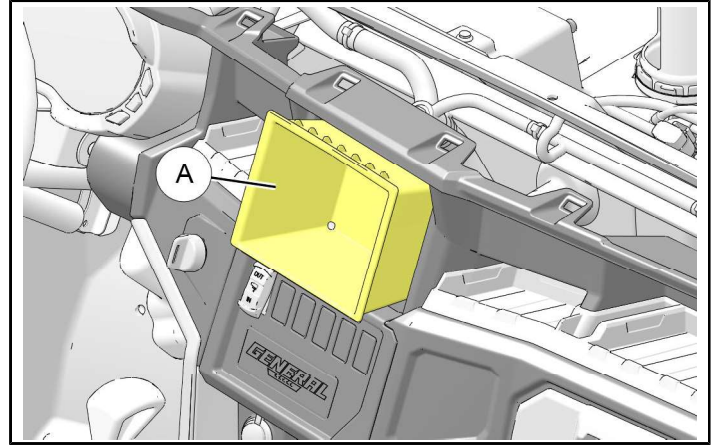


4. Slide panel upward and rearward, detaching eight spring clips **C**. Set dash aside.



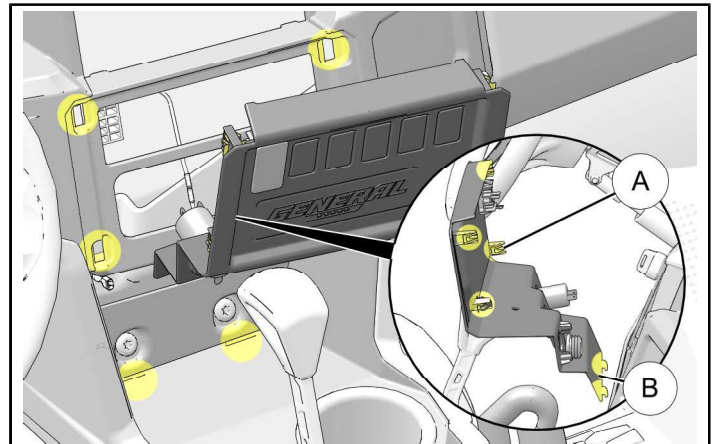
REMOVE CENTER STORAGE BOX

1. Using fingers, remove center storage box **A** by pressing top edge of box down, disengaging box locking tabs from main dash panel. Tip box out of dash and remove.



REMOVE CENTER CONTROL CONSOLE

1. Using fingers, carefully pull upper edge of console rearward to detach four spring clips **A**, then lift two lower tabs **B** out of slots.



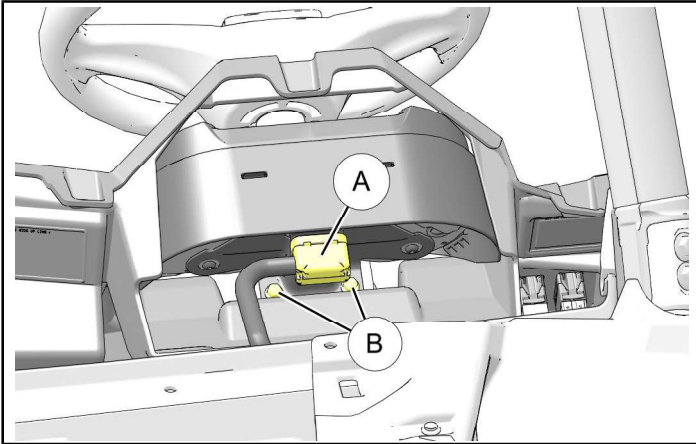
2. Label and disconnect electrical harnesses from switches, sockets, or other devices mounted to console.
3. Carefully cut one rectangular switch opening from console (or remove switch blank, if installed). Debur edges as required.

NOTE

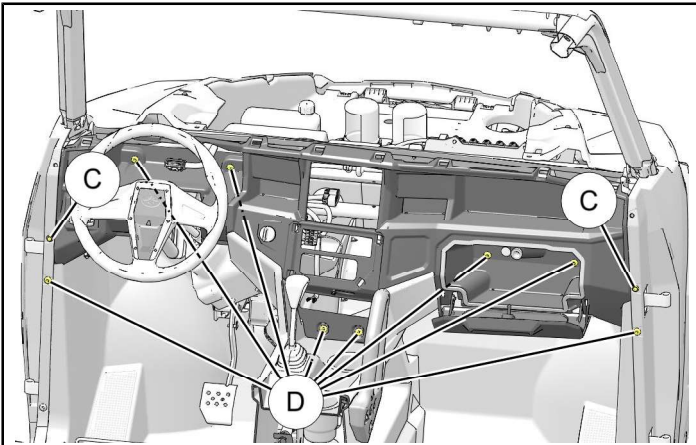
Any open location may be used.

REMOVE MAIN DASH PANEL

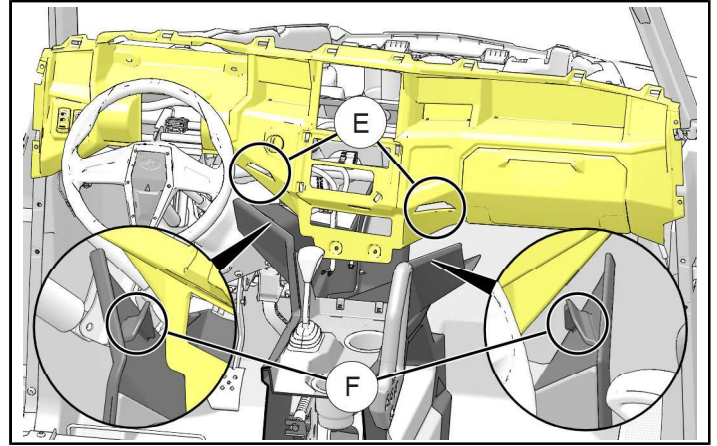
1. Detach main chassis harness connector (A) from instrument cluster.



2. Remove two screws (B), then lift instrument cluster assembly out of dash and set aside.
3. Remove the following fasteners:
 - One push pin rivet (C) and screw (D) from each side of dash.
 - Two screws (D) in glove box
 - Two screws (D) forward of gear shift lever
 - Two screws (D) forward of instrument cluster



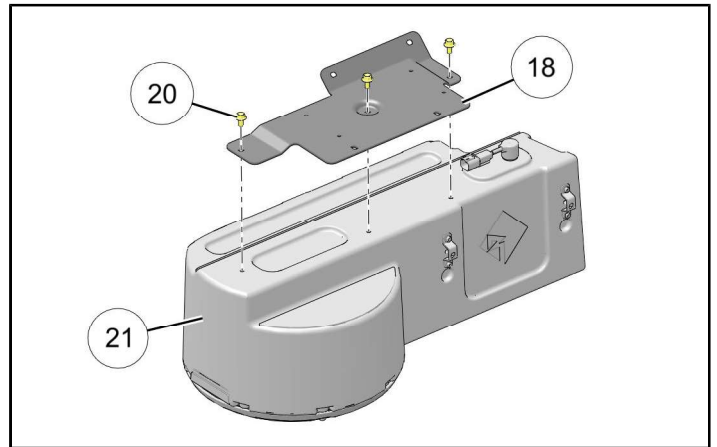
4. Detach slots (E) in main dash panel from tabs (F) in lower floor console panels, then lift dash panel away from support structure. Set panel aside.



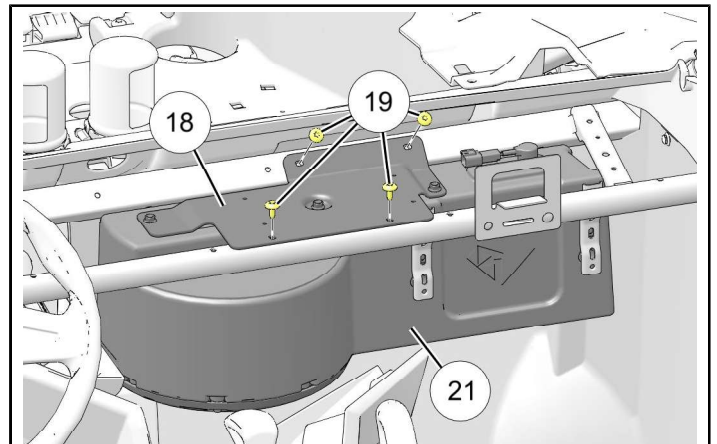
ACCESSORY INSTALLATION

INSTALL SUBWOOFER AND AMPLIFIER

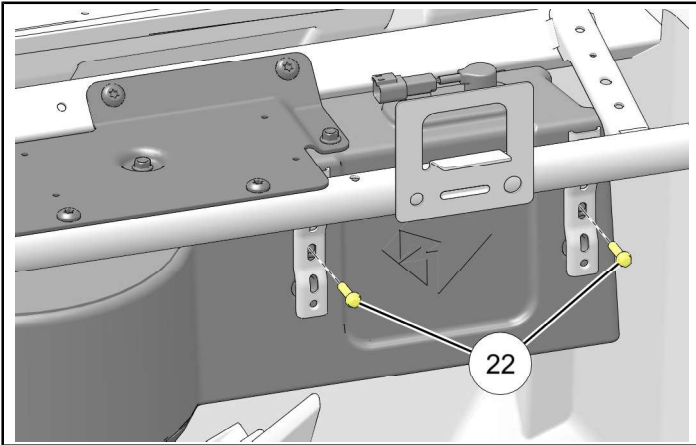
1. Install bracket (18) to subwoofer (21) using three screws (20). Tighten screws.



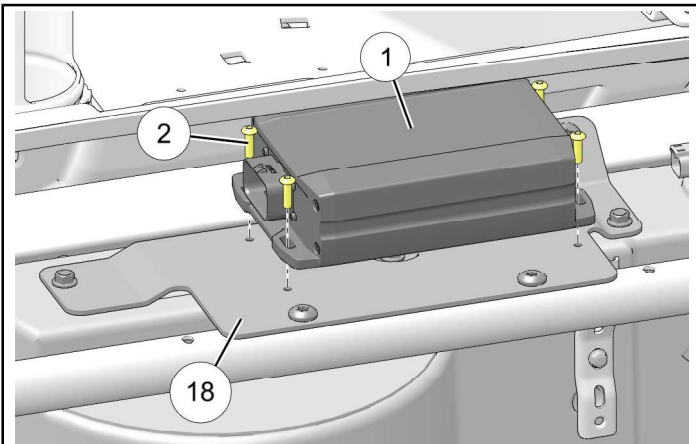
2. Install bracket (18) (with subwoofer (21)) to dash support structure using four screws (19). Tighten screws.



3. Install two screws ② through dash support brackets into subwoofer. Tighten screws.



4. Install amp ① to bracket ⑱ using four screws ②. Ensure amp connector is on LH side as shown. Tighten screws.



RIDE COMMAND® INSTALLATION KIT

If also installing RIDE COMMAND® Installation Kit (PN 2884283, sold separately), then proceed to the instructions included in that kit, section **INSTALL RIDE COMMAND® HARNESS**.

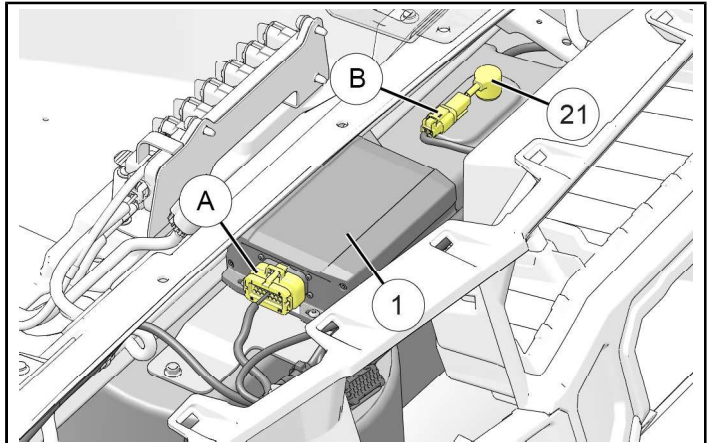
After all components in that kit have been installed you will return to these Audio Kit instructions and proceed to the next section, **SUBWOOFER AND AMP CONNECTIONS**.

SUBWOOFER AND AMP CONNECTIONS

NOTE

This section, as well as future sections, will refer to the RIDE COMMAND® harness. This harness was previously installed as part of the RIDE COMMAND® Installation Kit (PN 2884283).

1. Join amplifier connector ① on RIDE COMMAND® harness to amp ①.



2. Join subwoofer connector ② on RIDE COMMAND® harness to subwoofer ⑳.

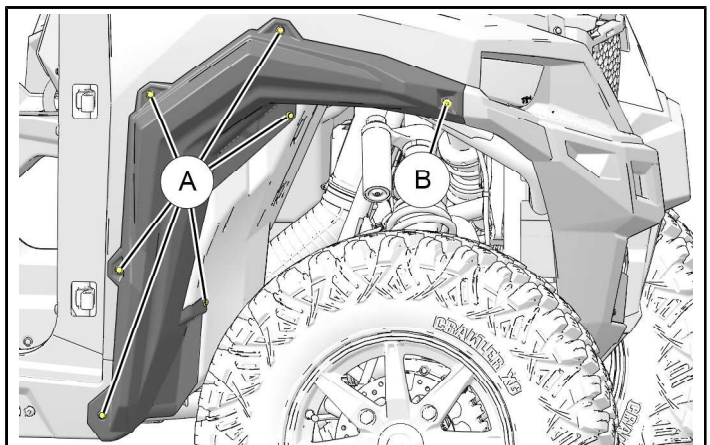
INSTALL AM/FM ANTENNA

1. If vehicle does NOT have front fender flares, proceed to next Step 2.

Otherwise, remove RH and LH fender flares by removing six push pin rivets ① and screw ②. Set panels aside. Retain hardware.

NOTE

LH fender flare removal is required for installation of LH speaker in next section.



2. Mark two holes on top of right front fender for alignment pin **C** and antenna mounting post **D**, both located on antenna base **23**.

NOTE

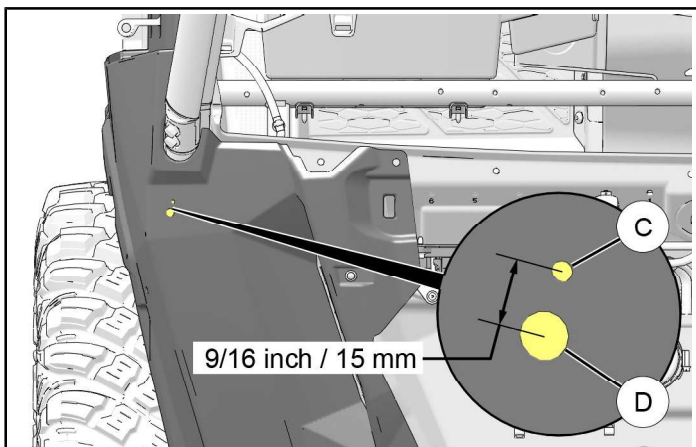
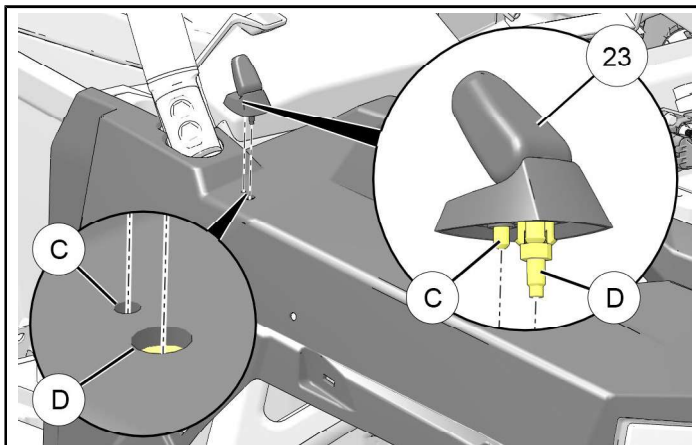
Exact base location is not critical. However, if mast tilt functionality is desired, ensure location allows desired tilt, and that ground strap **26** can reach chassis ground location. See Step 4 below.

Mark center of alignment pin hole **C** 9/16 inch (15 mm) REARWARD from center of mounting post hole **D** as shown, then drill holes at marked locations:

- 3/16 inch (5 mm) diameter hole for alignment pin **C**
- 1/2 inch (12 mm) diameter hole for mounting post **D**

IMPORTANT

Control drill depth to prevent damage to underlying structure or components.



3. Insert antenna base **23** through drilled holes in fender, then attach ground strap **26** and connector **E** on RIDE COMMAND® harness.

Secure with washer **29**, fender washer **28**, and nut **27**, then install rubber boot.

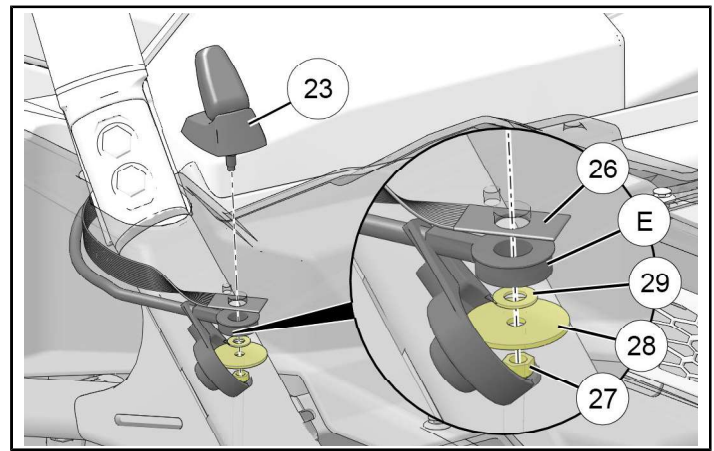
IMPORTANT

Do not remove nut pre-installed to threaded post.

NOTE

See previous section, **HARNESS DETAIL**, for connector identification.

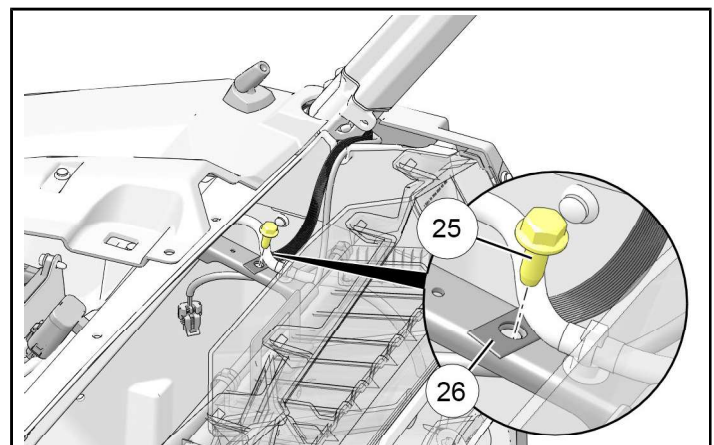
Fender shown partially transparent for clarity.



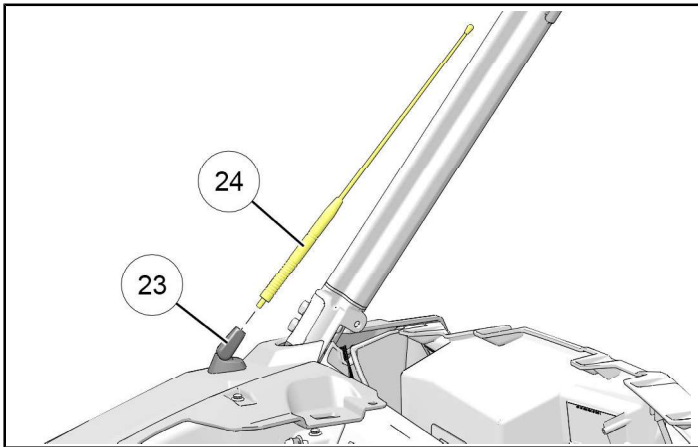
4. Route opposite end of ground strap **26** rearward, then inboard through cutout for dash support tube. Install strap to dash support bracket using screw **25**.

NOTE

Ground strap improves AM reception.



- Thread antenna mast (24) into antenna base (23). Adjust mast angle as desired.



NOTE

If fender flares were removed, leave them off until after front speakers have been installed.

INSTALL FRONT DASH SPEAKERS

NOTE

Polaris recommends two people for this section.

- Detach template pages located at end of this instruction.
- Locate REFERENCE DIMENSION on each template page.
Verify templates were printed to proper scale by using ruler to verify REFERENCE DIMENSION is exactly 5 inches.

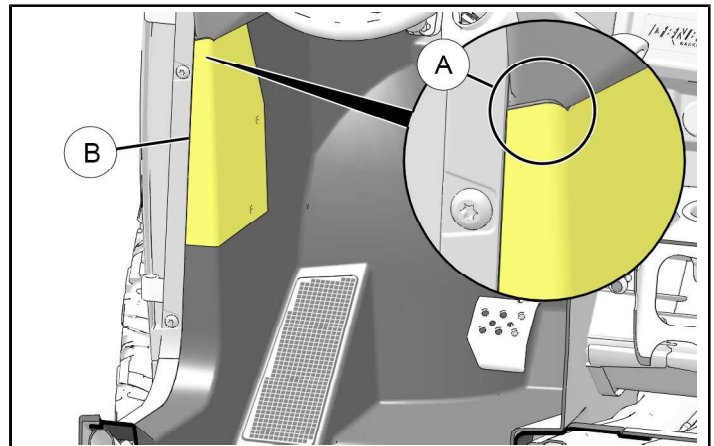
IMPORTANT

If your measurement is not exactly 5 inches, then reprint template pages from electronic file using print setting “**Actual Size**” (not “Fit”) to obtain 1:1 scale.
Electronic file available from your **Authorized Polaris Dealer**.

- Carefully cut out each template along lines.
- Secure TEMPLATE 1 to interior surface of LH floor liner, orienting template per arrows (“UP” and “FRONT”). Ensure the following:
 - Upper rear corner of template is nested into dash panel (A)
 - Rear edge of template is aligned with edge of floor liner (B)

NOTE

If a gap exists between edge of floor liner and edge of fender, align template with FLOOR LINER.

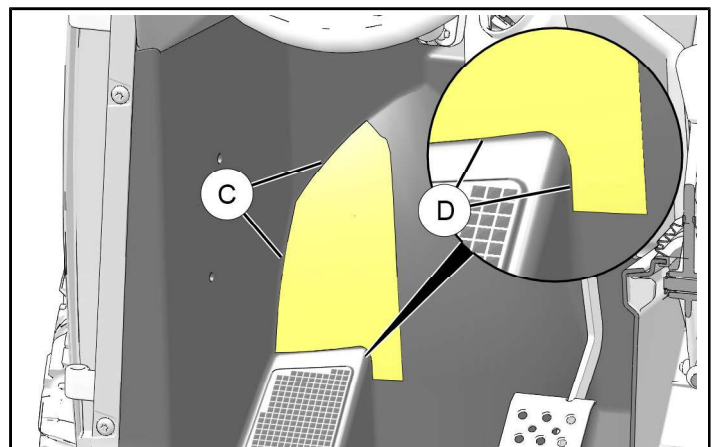


- Use ice pick (or equivalent) to mark center of each hole, then remove template.
- Carefully drill 1/4 inch (6 mm) hole at each marked location.

IMPORTANT

Control drill depth to prevent damage to underlying structure, components, wiring, lines, ducts, etc.

- Secure TEMPLATE 2 to interior surface of LH floor liner, orienting template per arrows (“UP” and “INBOARD”). Ensure the following:
 - Outboard edge of template is aligned with vertical curve in floor liner (C)
 - Lower edge of template wraps around dead pedal (D)



- Use ice pick (or equivalent) to mark center of hole, then remove template.

9. Carefully drill 1/4 inch (6 mm) hole at marked location.

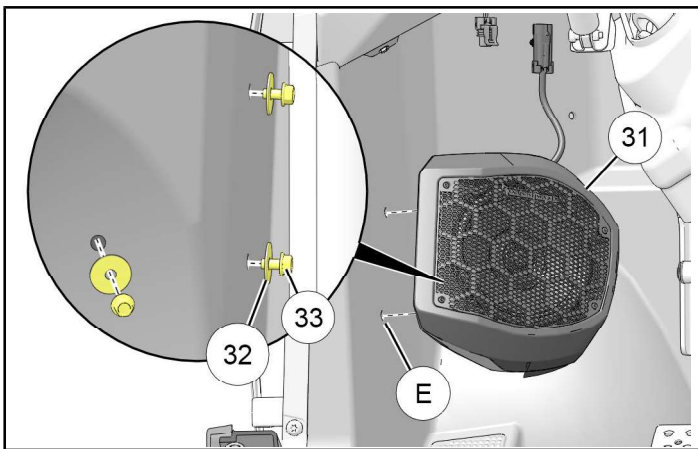
IMPORTANT

Control drill depth to prevent damage to underlying structure, components, wiring, lines, ducts, etc.

10. Starting with lower outboard hole (E), loosely install screw (33) with washer (32) into LH speaker (31). Ensure speaker connector is oriented upwards, and not pinched between speaker and floor liner. Continue with installation of screws and washers for two remaining holes.

NOTE

If necessary for installation, enlarge one or more holes.



11. Torque to specification.

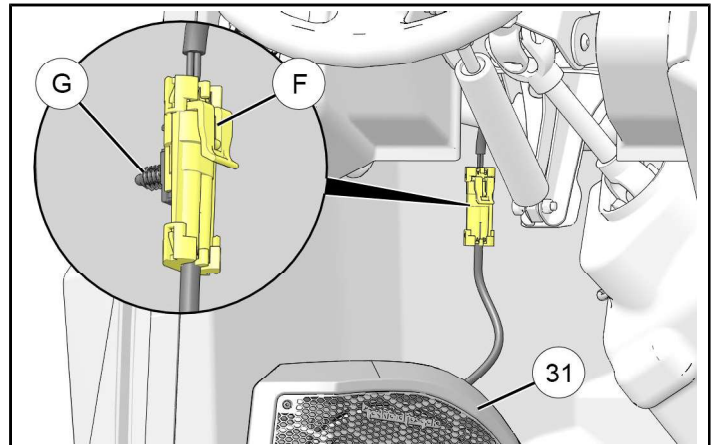
TORQUE

26 in. lbs. (3.0 Nm) ± 10%

12. Ensure speaker signal connector (F) on RIDE COMMAND® harness is routed to prevent contact with hot components, sharp edges, or moving parts (including steering components throughout their full range of travel), then join to LH speaker (31).

NOTE

See previous section, **HARNES DETAIL**, for connector identification.



13. Mark hole location for fir tree clip (G) (attached to speaker signal connector). Ensure adequate slack exists on both sides of speaker connection.
14. Temporarily disconnect speaker harness (or secure out of the way), then drill 1/4 inch (6 mm) hole through liner at marked location.

IMPORTANT

Control drill depth to prevent damage to underlying structure, components, wiring, lines, ducts, etc.

15. Reconnect speaker harnesses (if disconnected), then secure fir tree clip to hole.
16. Repeat steps 4 through 15 for RH side of vehicle using **BLANK** side of templates and RH speaker (30).
17. Reinstall front fender flares, if previously removed. See Step 1.

INSTALL REAR SPEAKERS

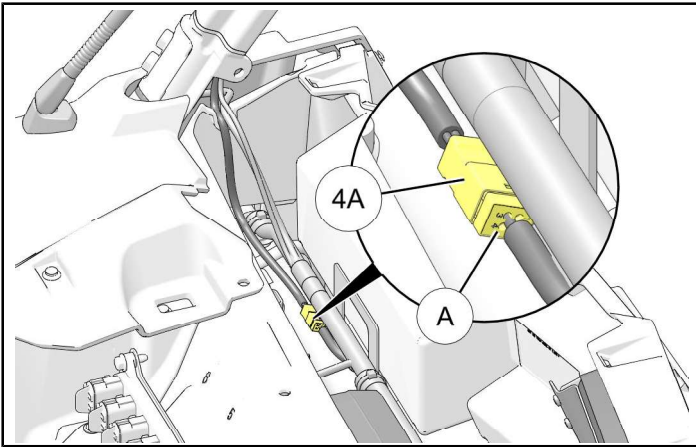
NOTE

See previous section, **HARNESS DETAIL**, for connector identification.

NOTE

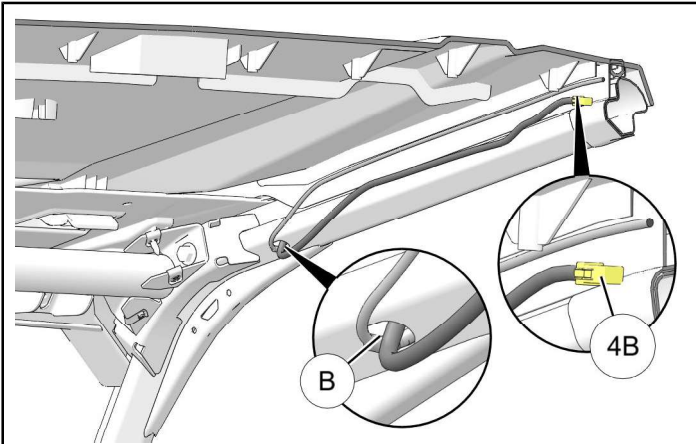
GENERAL® 1000 installation shown; GENERAL® 4 1000 installation similar (above C-pillar cross-member).

1. Join connector 4A on rear speaker harness ④ (or ⑤, if applicable) to rear audio connector ① on RIDE COMMAND® harness.



2. Feed fish tape (or equivalent) through oval hole ⑧ at top of A-pillar, then down and out hole at base of A-pillar.

Attach harness connector 4B to tape, then carefully pull connector up and out top of A-pillar.

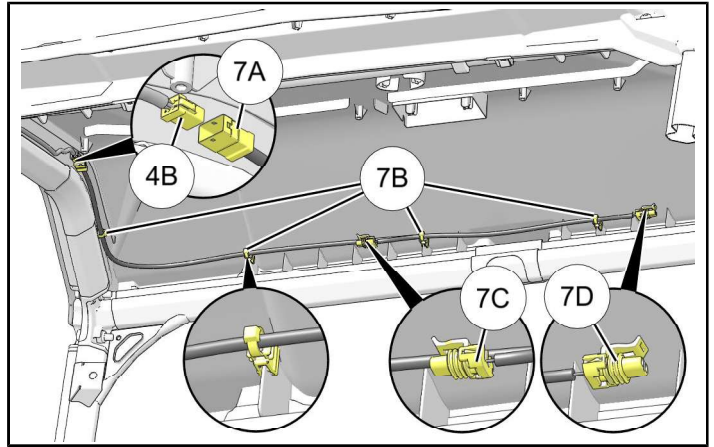


3. Join connector 4B on rear speaker harness ④ (or ⑤, if applicable) to connector 7A on crossover harness ⑦.

Ensure speaker connectors 7C and 7D are centered in roof, then secure crossover harness to roof using four edge clips 7B as shown.

NOTE

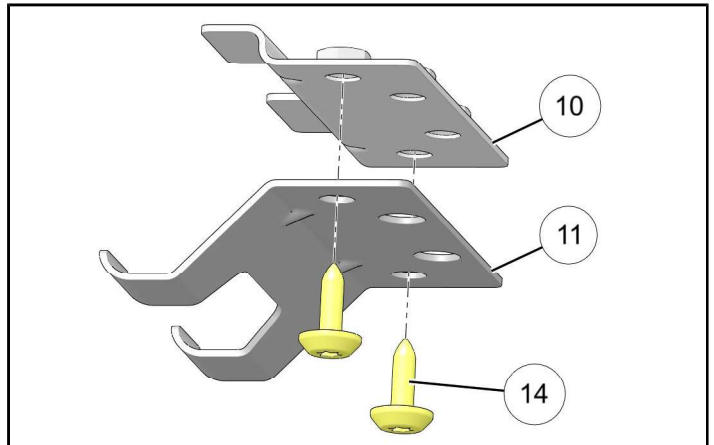
Vehicle-to-vehicle antenna and harness not shown (included with RIDE COMMAND® Installation Kit).



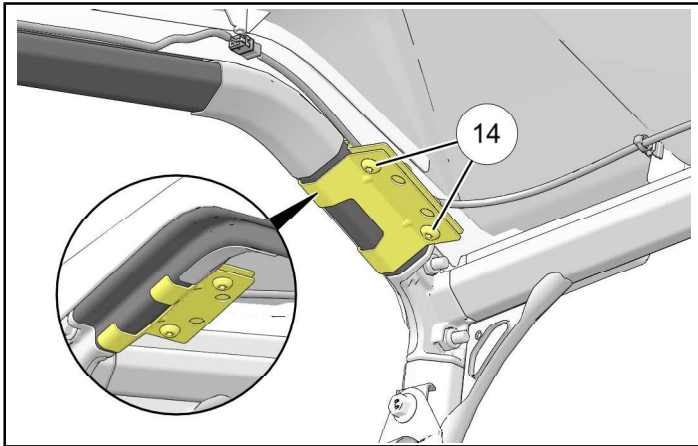
4. Loosely assemble outboard speaker brackets ⑩ and ⑪ using two screws ⑭.

NOTE

Outboard brackets are symmetrical for RH and LH sides.



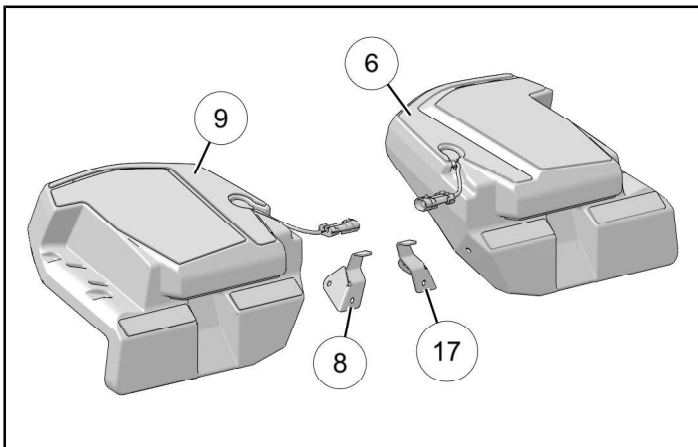
5. Install speaker bracket assembly to ROPS tubing at location and orientation shown. Tighten screws ⑭ only enough to clamp brackets to ROPS. Final bracket positioning will occur later.



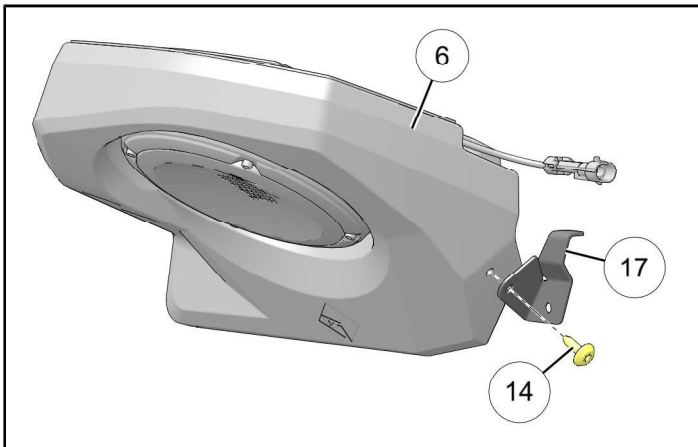
6. Identify RH speaker ⑥ and RH inboard bracket ⑰. Notice differences from LH speaker ⑨ and LH inboard bracket ⑧.

NOTE

Correct orientation is with speaker connector on the **INBOARD** side.

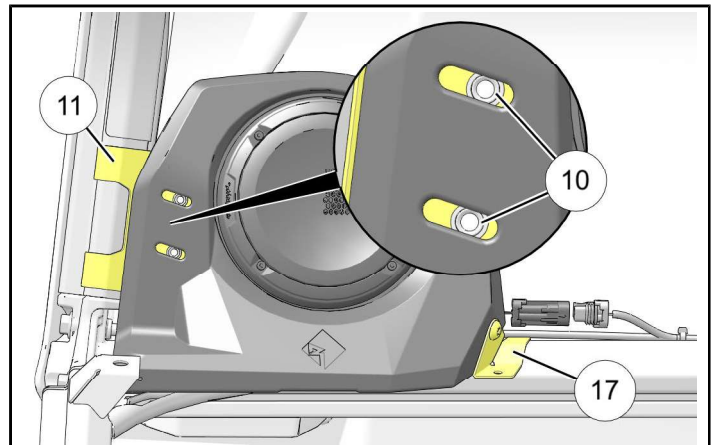


7. Loosely install RH inboard bracket ⑰ to RH speaker ⑥ using screw ⑭.

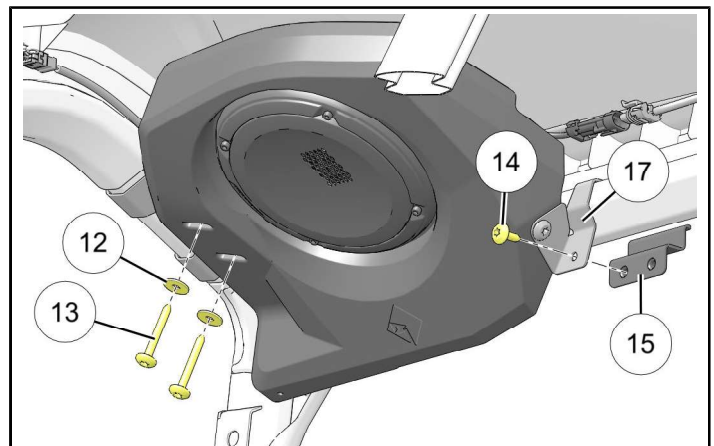


8. Position RH speaker ⑥ into corner of ROPS so inboard bracket ⑰ is nested into ROPS cross-member.

Slide outboard bracket assembly ⑩ and ⑪ along ROPS tubing until nuts in bracket align with slots in speaker as shown.



9. Temporarily remove speaker, then tighten two screws ⑭. See previous Step 5.
10. Install RH speaker ⑥ to ROPS using the following hardware, then tighten all screws.
 - OUTBOARD: Two each screws ⑬ and washers ⑫
 - INBOARD: Screw ⑭ and inboard bracket ⑰ (either bracket hole may be used)

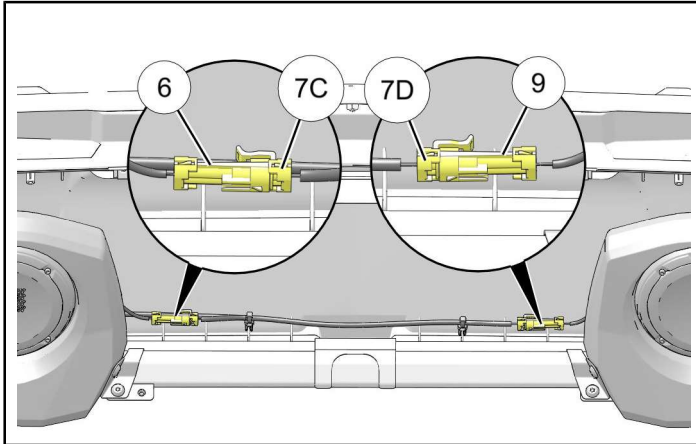


11. Repeat Steps 4–10 for LH speaker ⑨ and LH inboard bracket ⑧.

12. Join speakers to crossover harness ⑦:
- RH speaker ⑥ to crossover connector 7C
 - LH speaker ⑨ to crossover connector 7D

NOTE

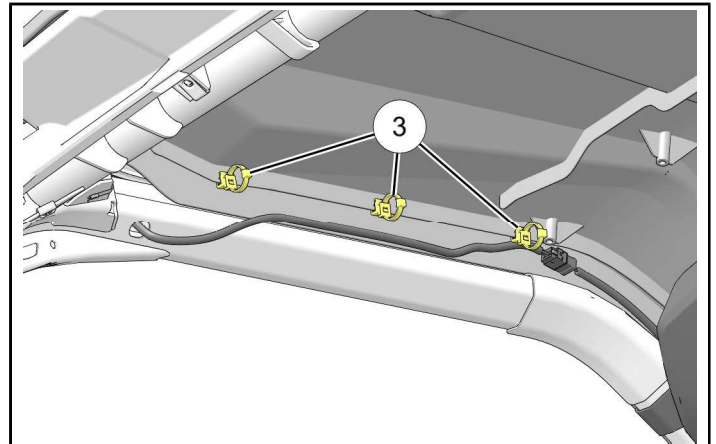
Vehicle-to-vehicle antenna and harness not shown (included with RIDE COMMAND® Installation Kit).



13. Ensure harnesses ④ (or ⑤, if applicable) and ⑦ are routed to prevent contact with hot components, sharp edges (including roof liner if/when reinstalled), or moving parts. Secure harness to roof using edge clips ③ every 12 inches (300 mm).

NOTE

GENERAL® 1000 installation shown; GENERAL® 4 1000 installation similar.



VEHICLE CLOSE-UP

Restore access by reversing the steps in each of these previous sections:

1. REMOVE MAIN DASH PANEL
2. REMOVE CENTER CONTROL CONSOLE
3. REMOVE UPPER DASH PANEL
4. REMOVE ROOF LINER (if applicable)
5. DISCONNECT BATTERY

FEEDBACK FORM

A feedback form has been created for the installer to provide any comments, questions or concerns about the installation instructions. The form is viewable on mobile devices by scanning the QR code or by clicking [HERE](#) if viewing on a PC.



TEMPLATE 1

LH SIDE
(RH SIDE
ON BACK)

UP



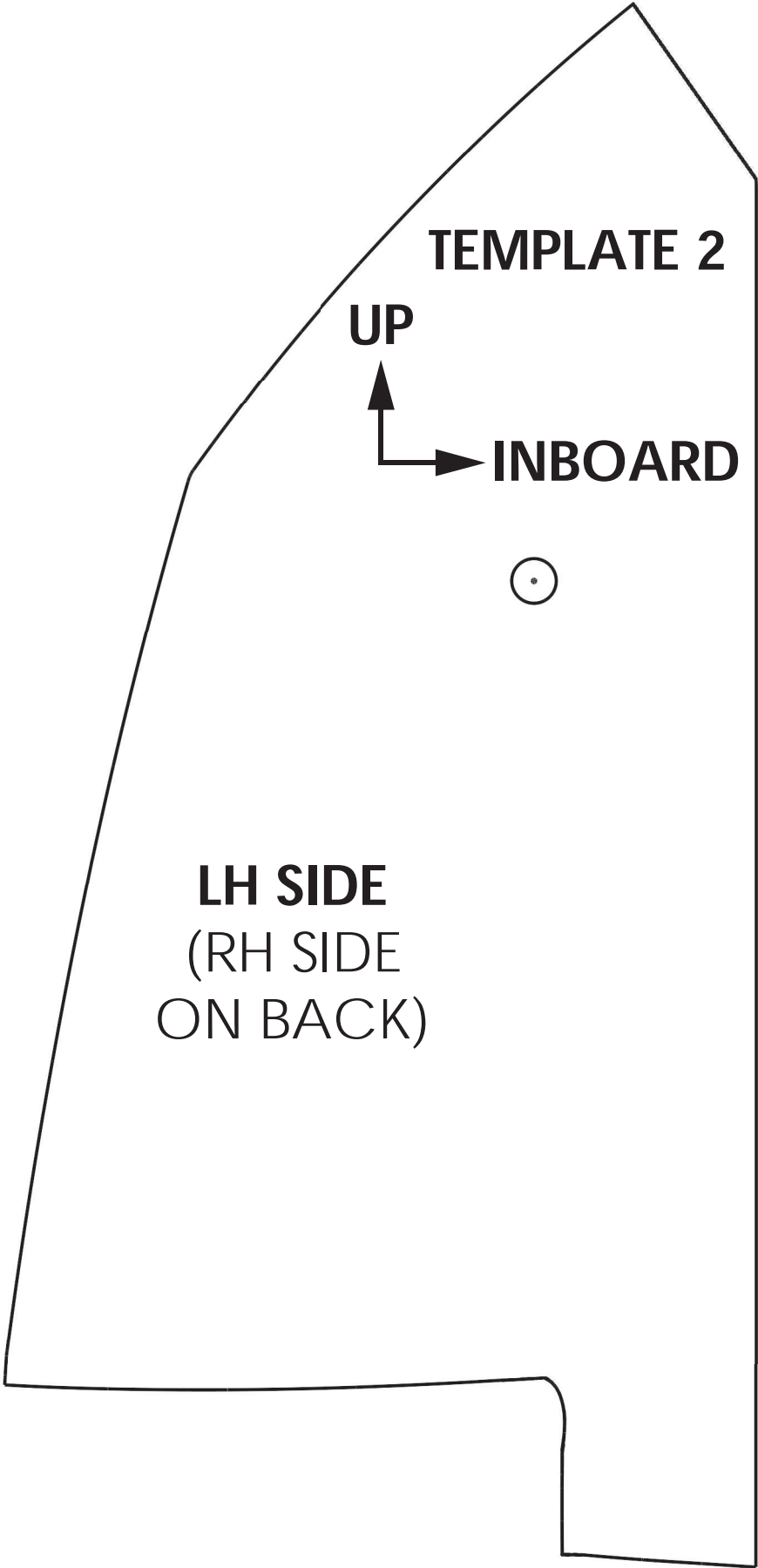
FRONT



REFERENCE DIMENSION



THIS PAGE INTENTIONALLY BLANK; TEMPLATE ON PREVIOUS PAGE



TEMPLATE 2

UP

INBOARD

LH SIDE
(RH SIDE
ON BACK)

5 INCHES

REFERENCE DIMENSION

THIS PAGE INTENTIONALLY BLANK; TEMPLATE ON PREVIOUS PAGE