

PMX AUDIO KIT BY ROCKFORD FOSGATE



P/N 2884256

IMPORTANT

Due to the technical nature of this kit, Polaris® insists that this installation be performed by a certified Polaris® technician.

BEFORE YOU BEGIN

Read these instructions and check to be sure all parts and tools are accounted for. Please retain these installation instructions for future reference and parts ordering information.

APPLICATION

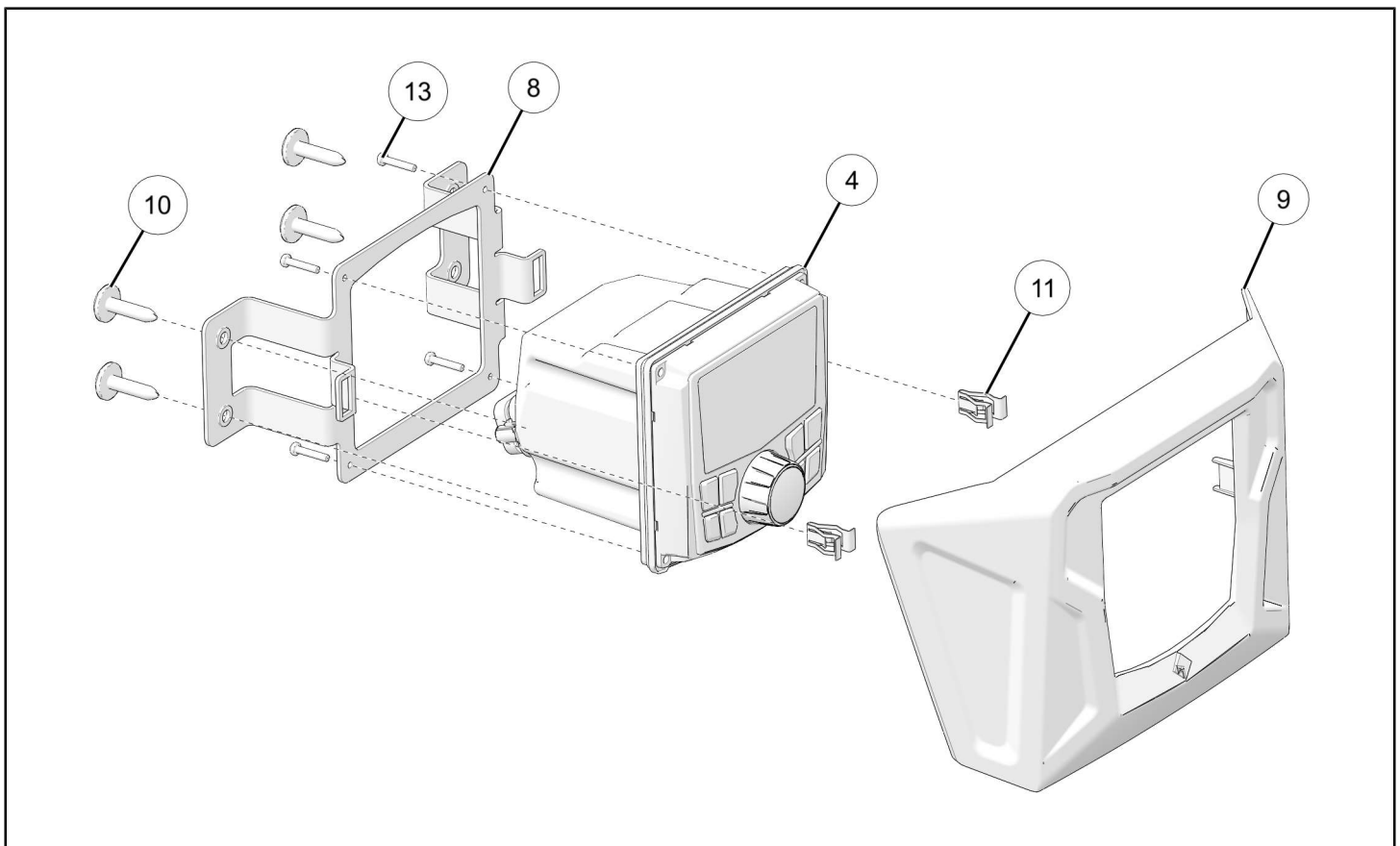
Verify accessory fitment at www.polaris.com.

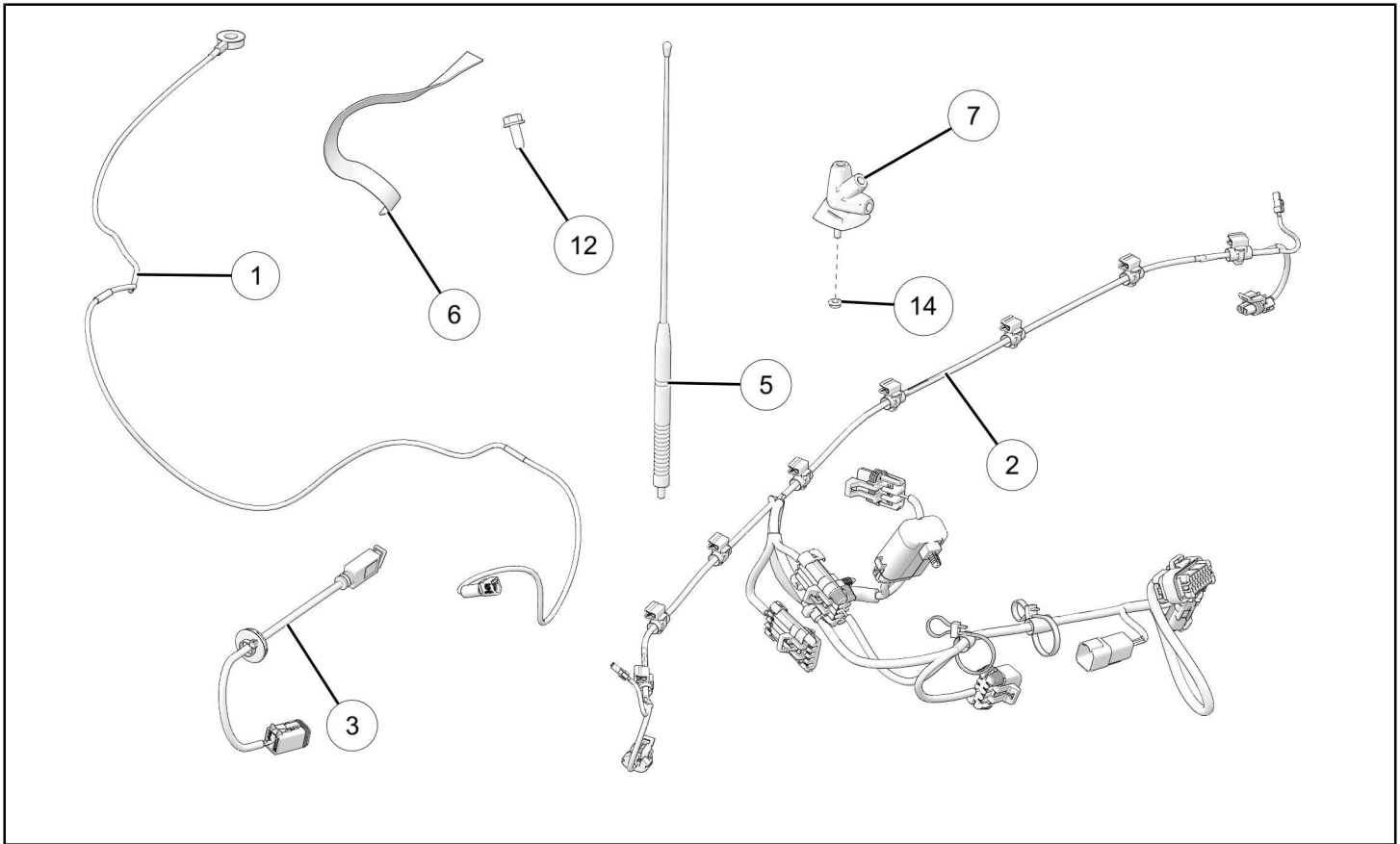
REQUIRED SOLD SEPARATELY

Only parts for installation of the PMX Audio Kit by Rockford Fosgate are included. For complete installation, the following additional kit is required (sold separately):

- *Base Audio Kit*, P/N 2883943

KIT CONTENTS

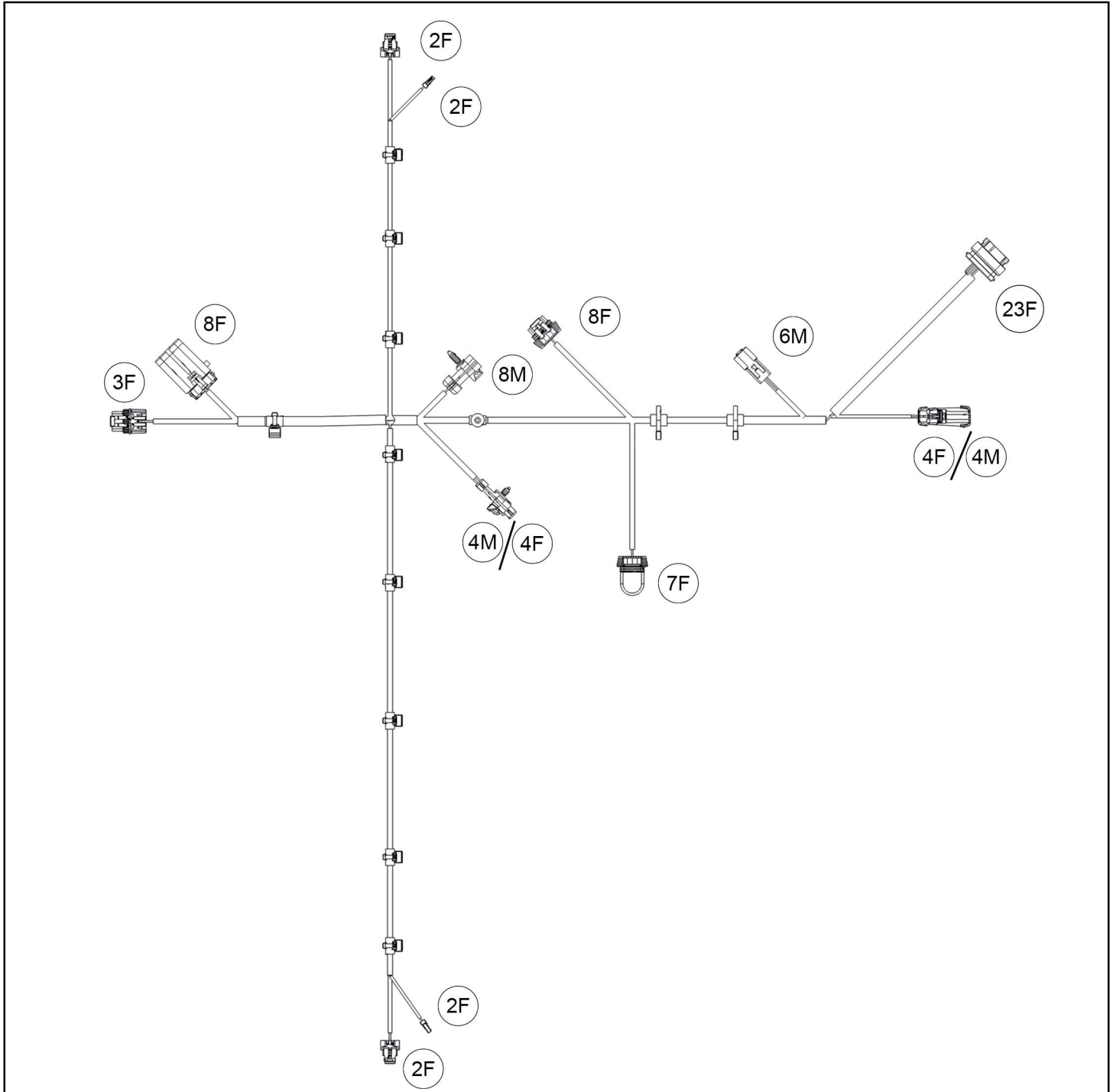




REF	QTY	PART DESCRIPTION	P/N AVAILABLE SEPARATELY
1	1	Harness – AM/FM Antenna	2415037
2	1	Harness – Audio, PMX-P2	2415053
3	1	Harness – USB, RC	2415322
4	1	Audio – PMX, P2	2637487
5	1	Antenna – Mast, AM/FM, Short	4014849
6	1	Strap – Ground, Antenna, Braided	4016696
7	1	Mount – Antenna, 90–degree, Adjustable	4019254
8	1	Bracket – PMX-P2 Mount	5271233-329
9	1	Panel – Cover, Base, Audio	5457108-070
10	4	Screw – Torx®, M6 x 1.0 x 25 mm	7519650
11	2	Clip – Dash, Trim, Metal	7519806
12	1	Screw – Hex, Flange, M8 x 1.25 x 20 mm	7520764
13	4	Screw – Pan Head, Thread-forming, M3 x 16 mm	7521350
14	1	Nut – Hex, Flange, M5 x 0.8 mm	7547437

HARNESS DETAIL

PMX P2 AUDIO HARNESS ②



REF	PART DESCRIPTION	CONNECTS TO
3F	Sealed Connector, 3 Pin, Female	Polaris Pulse® Bar, Power
8F	Fuse Relay Center	Attaches To Body
2F	Sealed Connector, 2 Pin, Female	Front Left Driver
2F	Sealed Connector, 2 Pin, Female	Front Left Tweeter
8M	Sealed Connector, 8 Pin, Male	Speaker

REF	PART DESCRIPTION	CONNECTS TO
8F	Sealed Connector, 8 Pin, Female	Amplified Output
6M	Sealed Connector, 6 Pin, Male, Gray	USB Harness
23F	Sealed Connector, Ampseal, 23 Pin, Female	PMX P2 Head Unit
4F/4M	Sealed Connector, 4 Pin Female/4 Pin Male	Subwoofer
7F	Sealed Connector, 7 Pin Female, Gray	n/a
4M/4F	Sealed Connector, 4 Pin Male/4 Pin Female	Rear Audio
2F	Sealed Connector, 2 Pin, Female	Front Right Tweeter
2F	Sealed Connector, 2 Pin, Female	Front Right Driver

Example: 16F = 16 pin, Female / 16M = 16 pin, Male (Male terminal fits inside female terminal)

TOOLS REQUIRED

- Safety Glasses
- Drill
- Drill Bit:
 - 3/16 in (5 mm)
 - 1/2 in (12 mm)
- Pliers, Push Pin Rivet
- Screwdriver Set, Torx®
- Socket Set, Torx® Bit
- Torque Wrench
- Tape Measure

IMPORTANT

Your PMX Audio Kit by Rockford Fosgate is exclusively designed for your vehicle. Please read the installation instructions thoroughly before beginning. Installation is easier if the vehicle is clean and free of debris. For your safety, and to ensure a satisfactory installation, perform all installation steps correctly in the sequence shown.

INSTALLATION INSTRUCTIONS

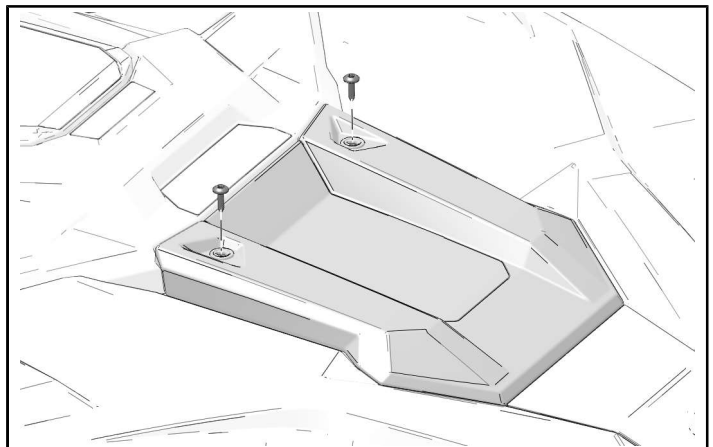
VEHICLE PREPARATION

GENERAL

1. Park vehicle on a flat surface.
2. Shift vehicle into PARK.
3. Turn key to OFF position and remove key.

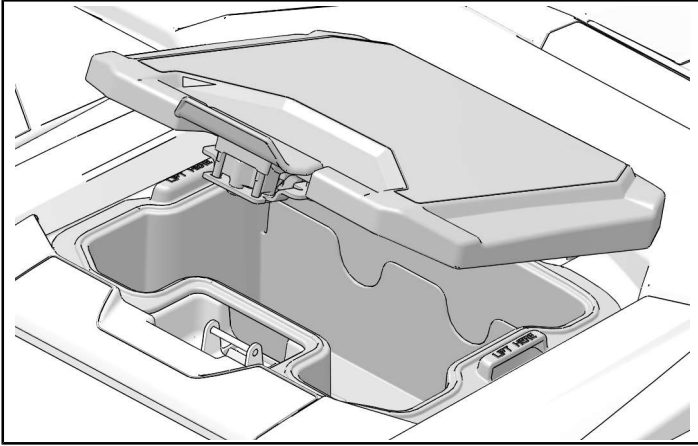
CENTER HOOD PANEL REMOVAL

1. Remove and keep two hood fasteners. Move hood towards rear of vehicle to remove.



DASHBOARD STORAGE REMOVAL

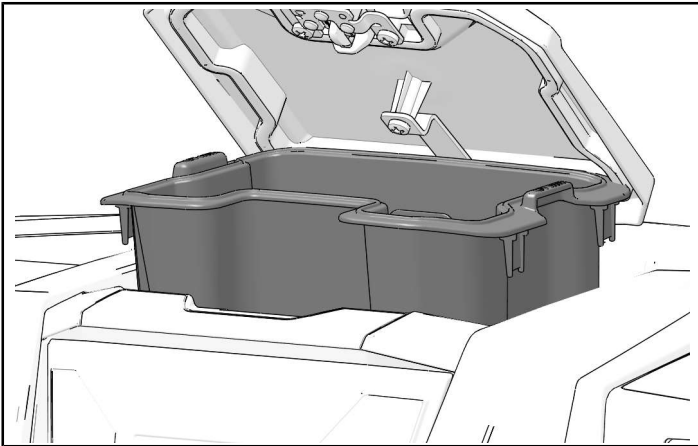
1. Open center dashboard storage compartment.



2. Remove storage compartment from dashboard.

TIP

If removing storage compartment is difficult, carefully use tool to pry storage compartment upwards where marked "LIFT HERE."

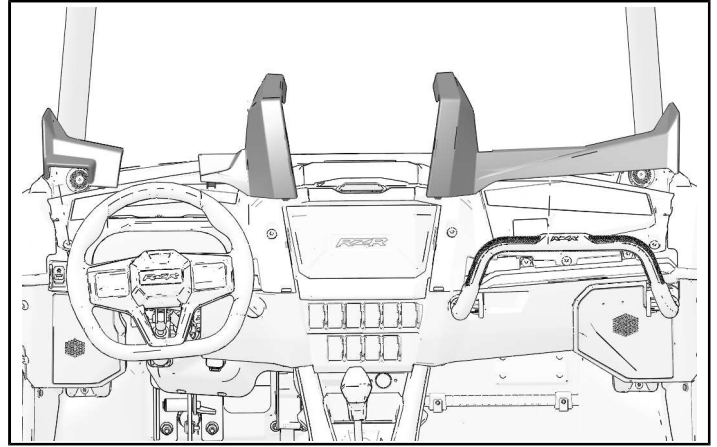


DASHBOARD TOP REMOVAL

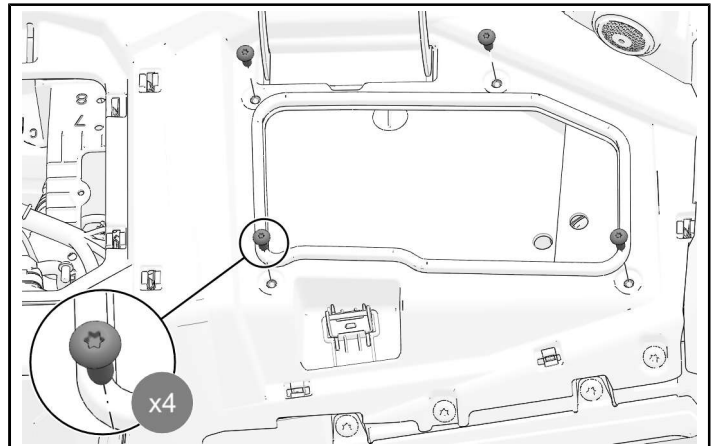
1. Carefully pull up to remove left, center, and right dashboard trim pieces.

TIP

Release steering tilt lock for improved access.



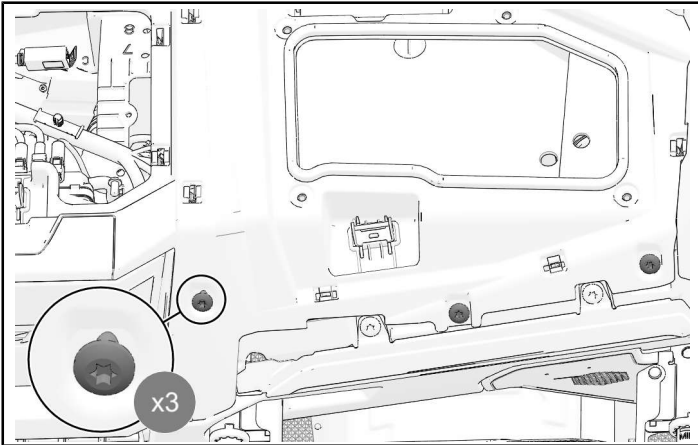
2. Open glove box lid. Remove and keep four dashboard fasteners around glove box opening.



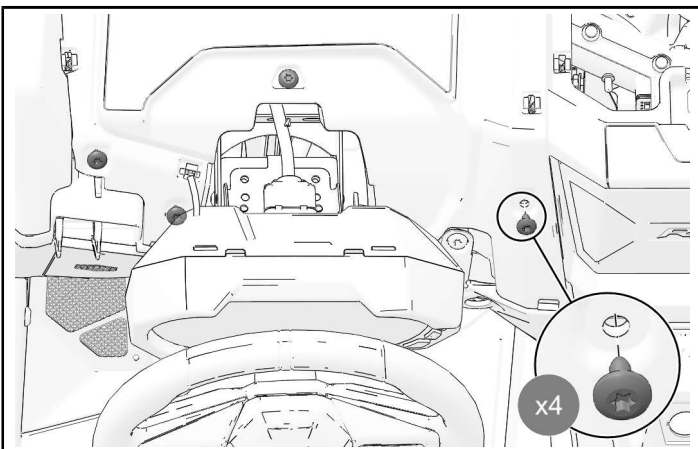
3. Remove and keep three front dashboard fasteners around glove box opening.

TIP

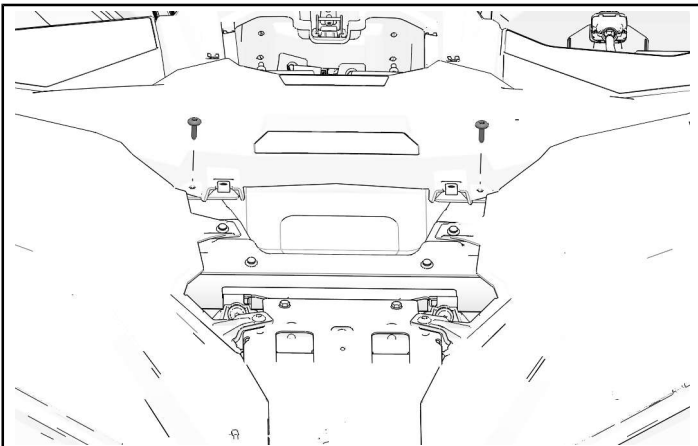
Make note of different screw sizes in steps 2 and 3.



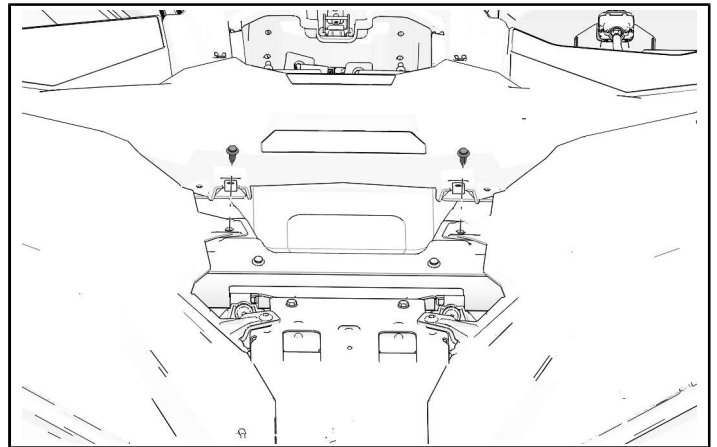
4. Tilt steering wheel down. Remove and keep four dashboard fasteners from dashboard surrounding steering wheel.



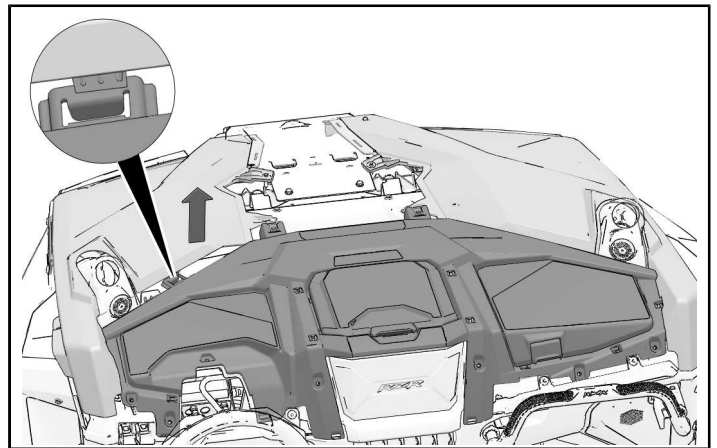
5. Remove and keep two dashboard fasteners from front of vehicle.



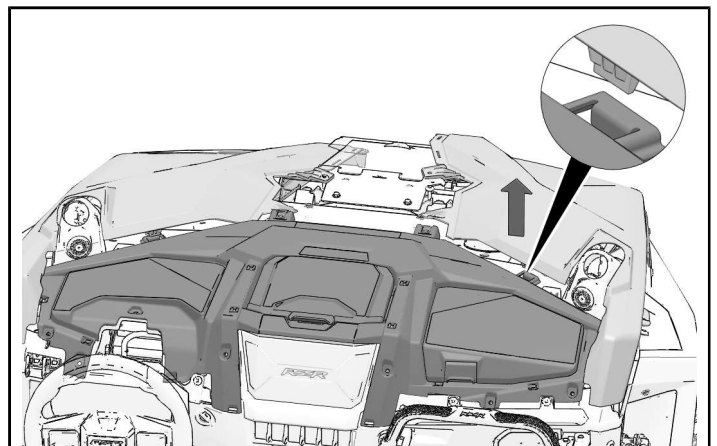
6. Remove and keep two push-pin rivets from front side hood panels.



7. Carefully lift edge of left front hood panel to release tab from dashboard top as shown.



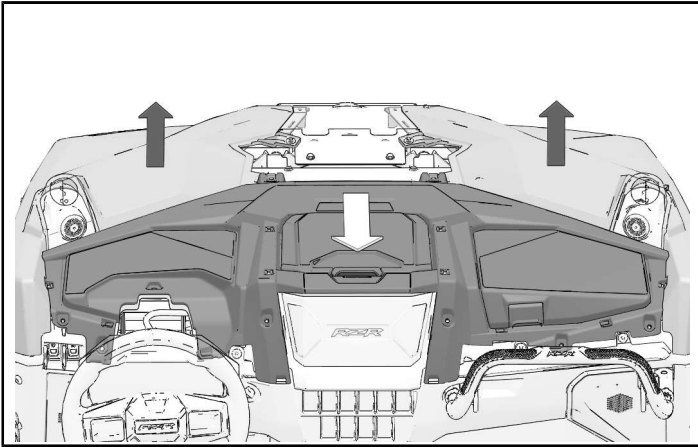
8. Carefully lift edge of right front hood panel to release tab from dashboard top as shown.



- Carefully keep panels up-and-away from tabs and remove dashboard top by tilting rear section up and pulling out toward rear.

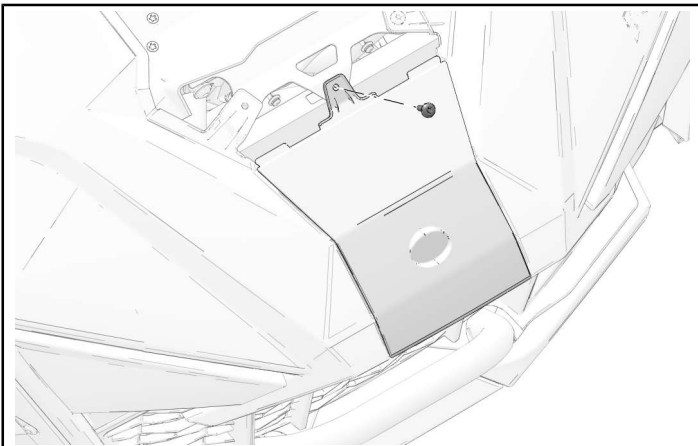
TIP

Two people are recommended to complete this step.

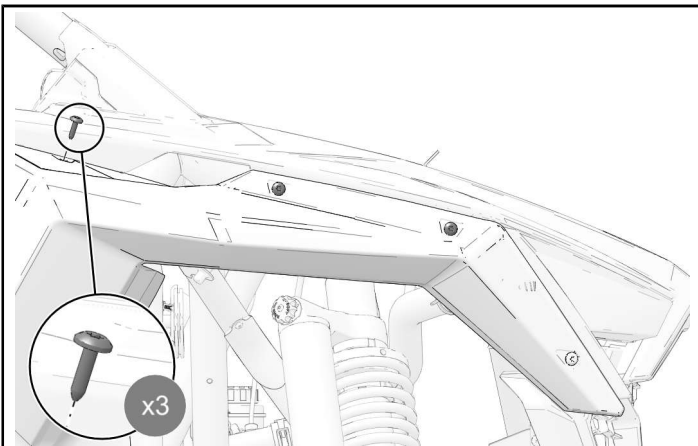


RIGHT-HAND HOOD DISASSEMBLY

- Remove and keep one fastener to remove front hood panel.



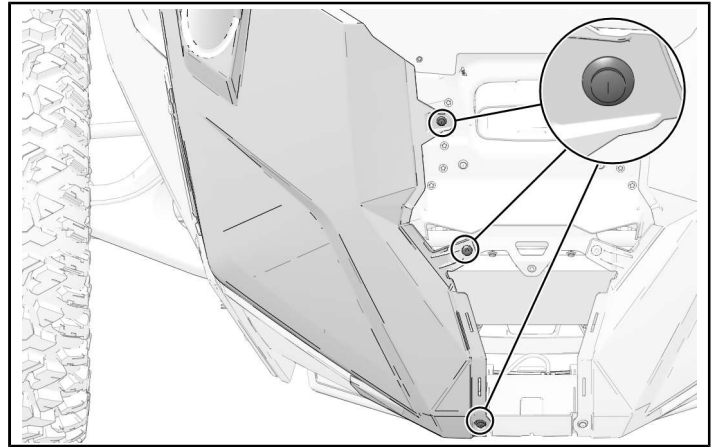
- Remove and keep three front fender fasteners.



- Remove and keep these hood fasteners.

TIP

Note fastener installation locations. Fastener configuration may change depending on model and year.



ACCESSORY INSTALLATION

ANTENNA INSTALLATION

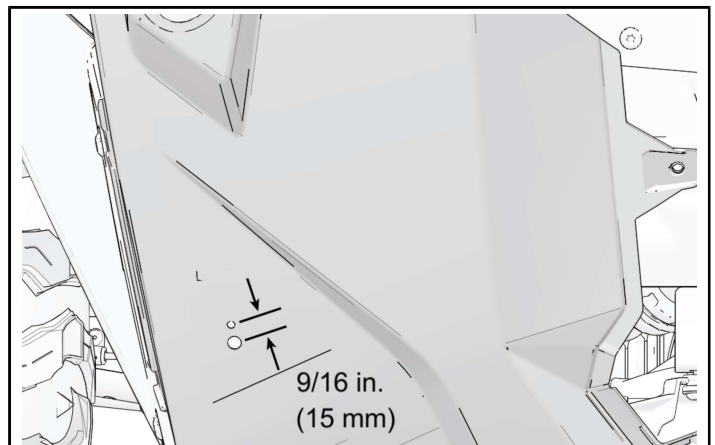
- Mark two holes on top of right front fender.

NOTICE

Exact location is not critical. Make sure location allows ground strap connected to antenna base to reach a chassis ground location (see step X of *Antenna Installation* section for ground strap location). If mast tilt functionality is desired, make sure mounting location allows for tilt.

MEASUREMENT

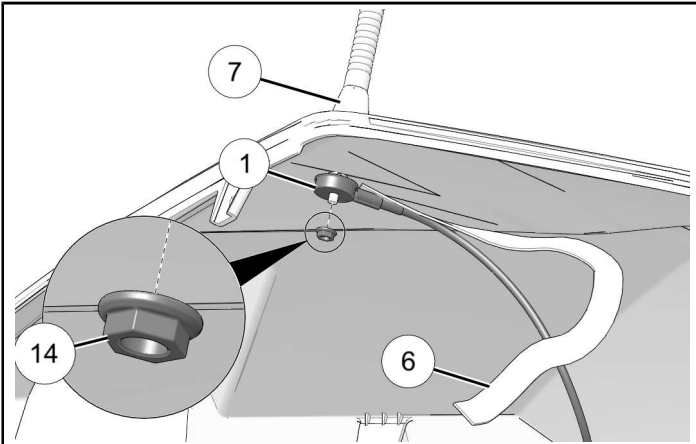
Antenna Mounting Post hole:
1/2 in (12 mm)
 Alignment Pin hole:
3/16 in (5 mm)
 Center to Center distance (See image)
9/16 in (15 mm)



2. Install studs on antenna base ⑦ in holes on fender. Install antenna wire ① and ground strap ⑥ on stud and attach using nut ⑭. Torque to specification.

TORQUE

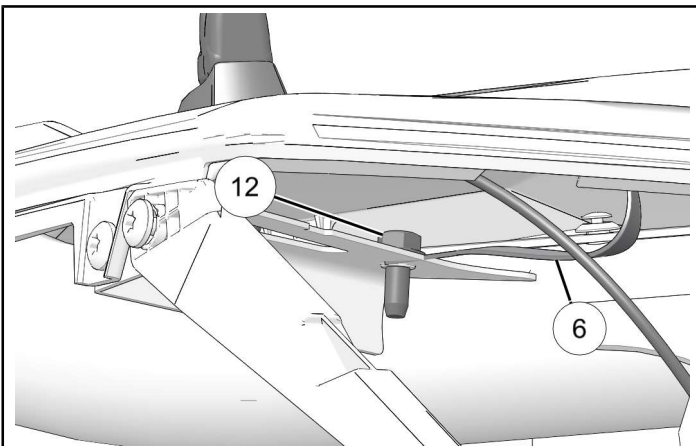
Antenna Mount Nut ⑭:
89 in-lbs (10 N·m)



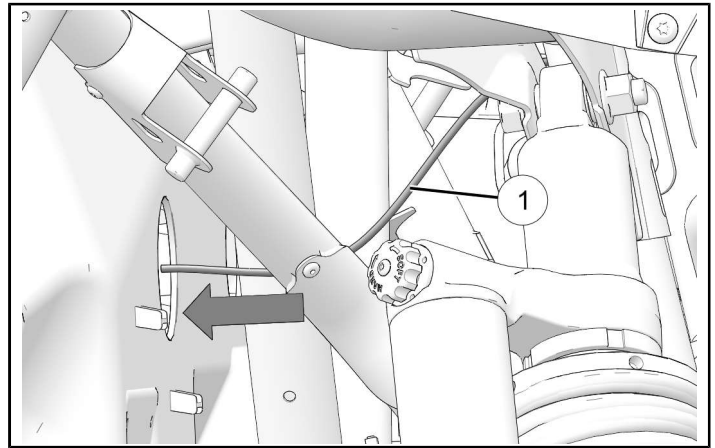
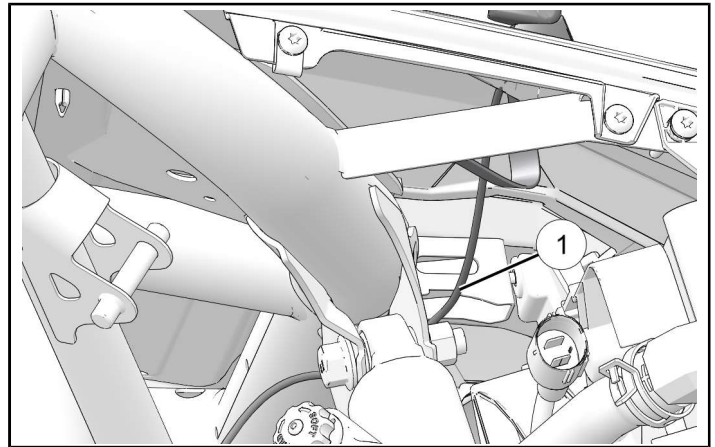
3. Attach ground strap ⑥ to frame using screw ⑫. Torque to specification.

TORQUE

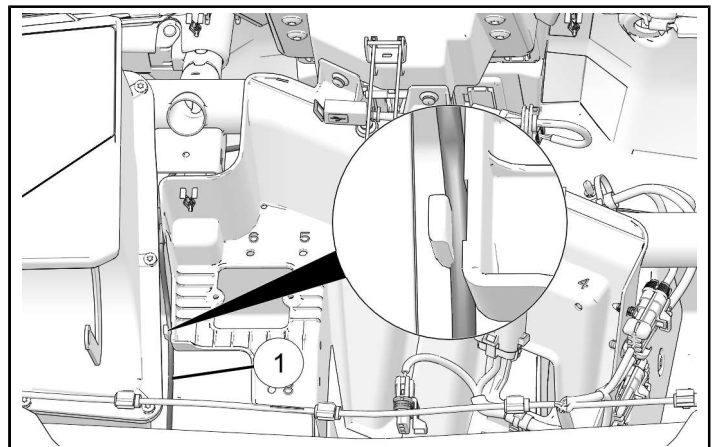
Ground Strap Screw ⑫:
89 in-lbs (10 N·m)



4. Route antenna wire ① along frame and inside vehicle.



5. Route antenna wire ① to audio unit mounting area. Attach using clips on side of connector mounting panel.

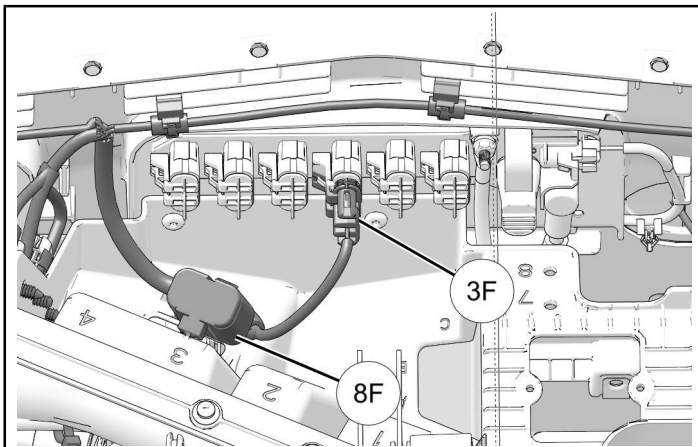
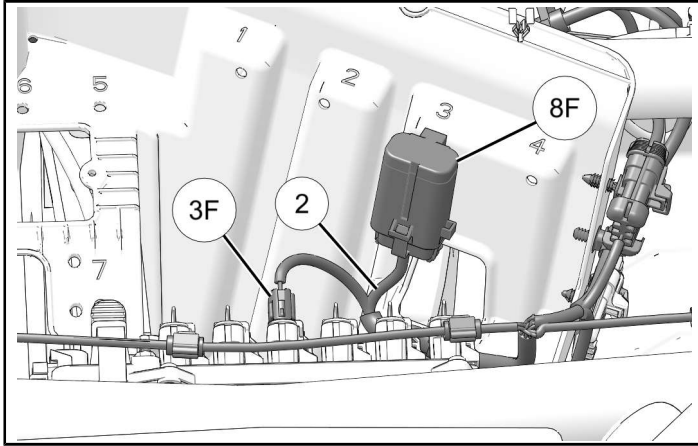


HARNES INSTALLATION

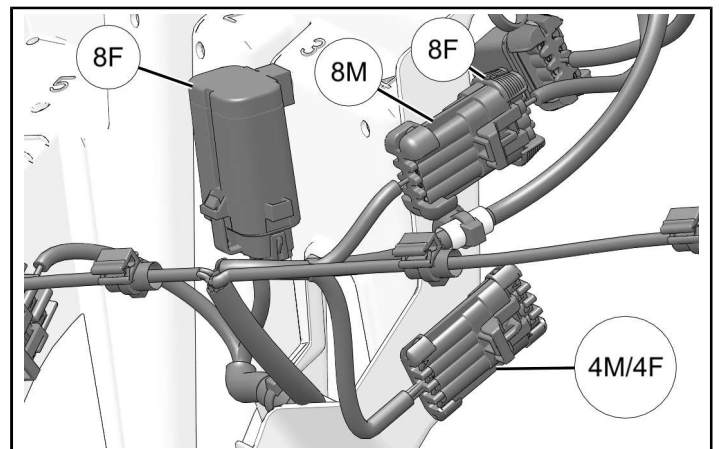
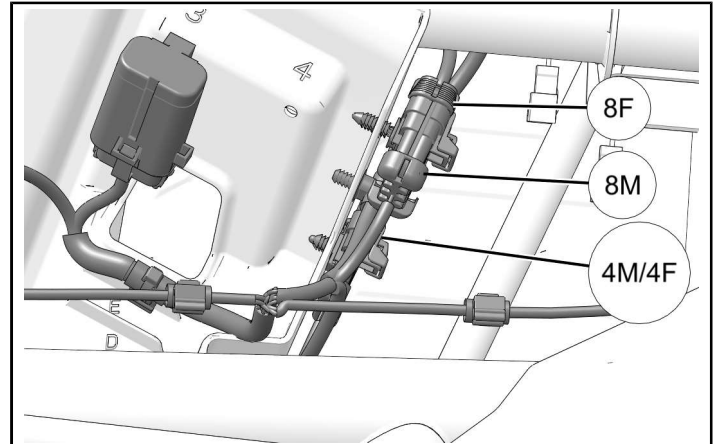
NOTICE

Parts may be hidden for clarity.

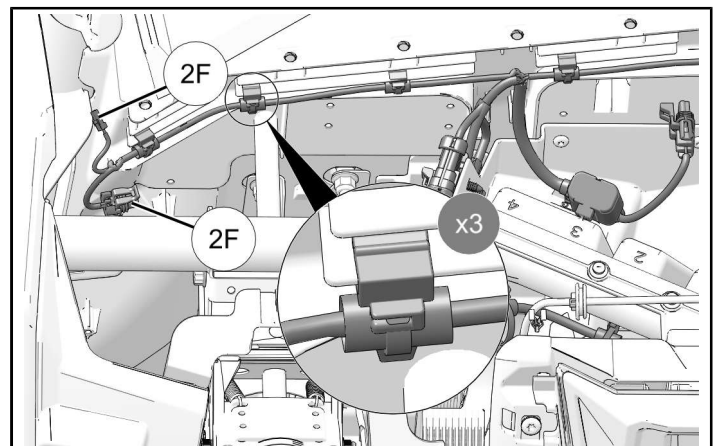
1. Attach **8F** on harness **2** in position 3 on electrical board. Connect **3F** to PULSE® board in location shown.



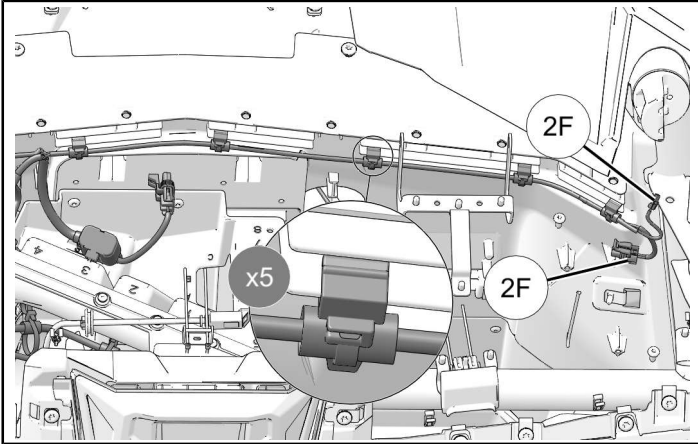
2. Connect **8M** to **8F**. Attach to side of electrical board. Connect **4M/4F** to rear audio connection (if equipped). Attach to side of electrical board. Attach push pin to side of electrical board.



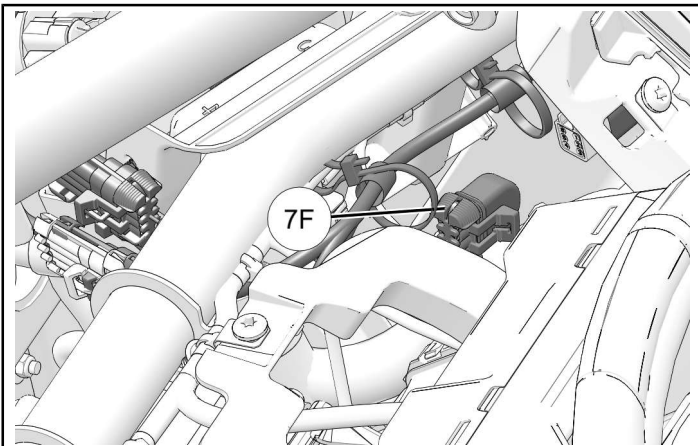
3. Route short branch of harness to left side of vehicle. Attach to body panel using edge clips. Connect **2F** to tweeter. Connect **2F** to speaker.



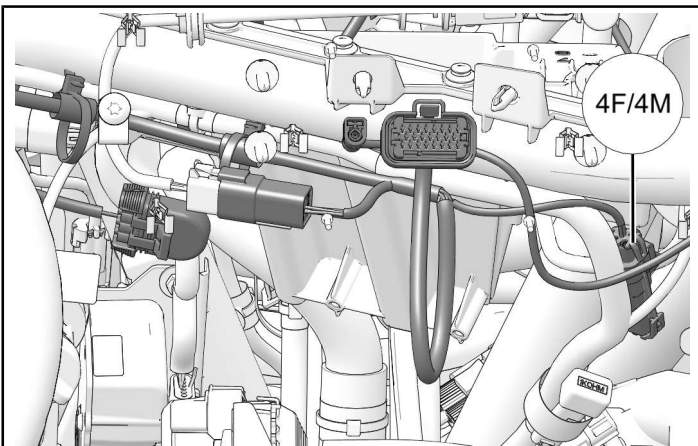
- Route long branch of harness to left side of vehicle. Attach to body panel using edge clips. Connect **2F** to tweeter. Connect **2F** to speaker.



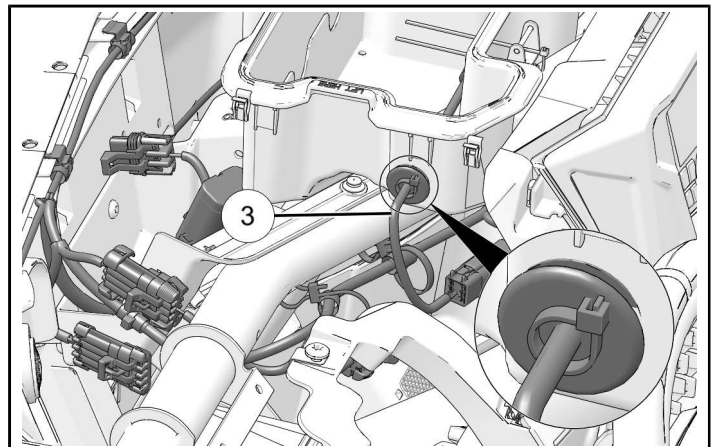
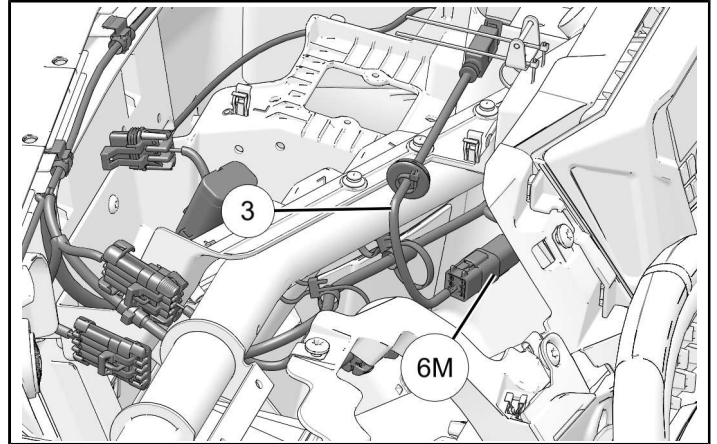
- Put **7F** along harness. Make sure it is not pinched or hanging down.



- Attach **4F/4M** to subwoofer (if equipped).



- Connect USB port **3** to **6M**. USB port will install in storage tray with grommet during vehicle reassembly as shown.

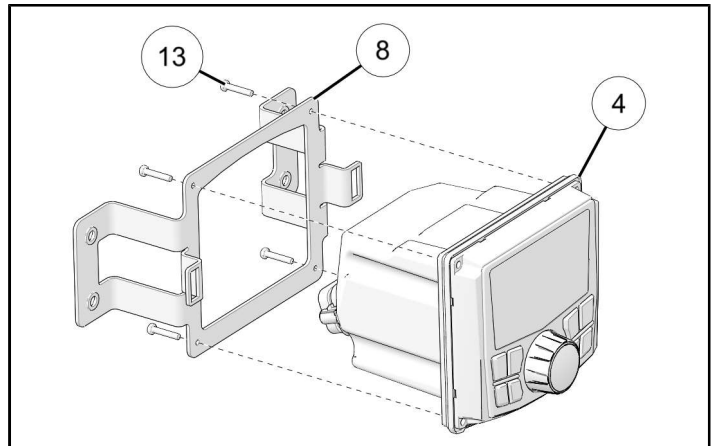


HEAD UNIT INSTALLATION

- Attach head unit **4** to mounting bracket **8** using four screws **13**.

TORQUE

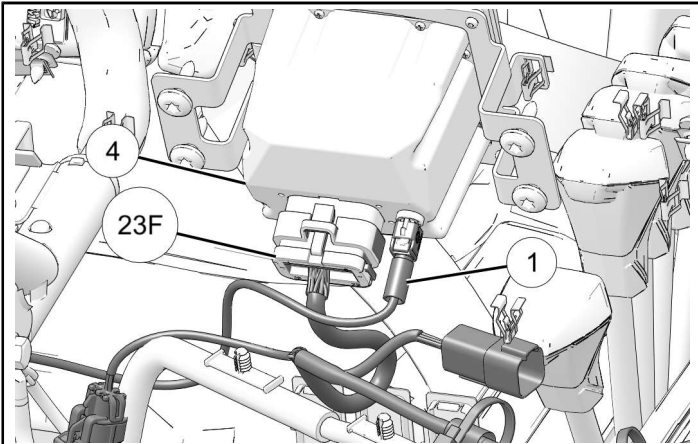
Screws **13**:
89 in-lbs (10 N·m)



2. Attach 23F and antenna wire ① to head unit ④.

NOTICE

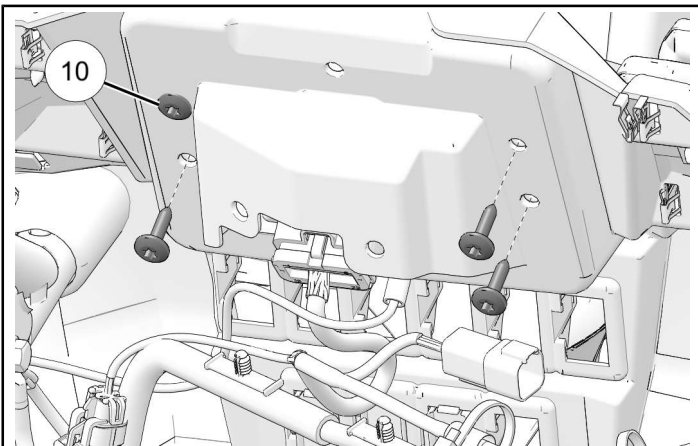
Dash panel hidden for clarity.



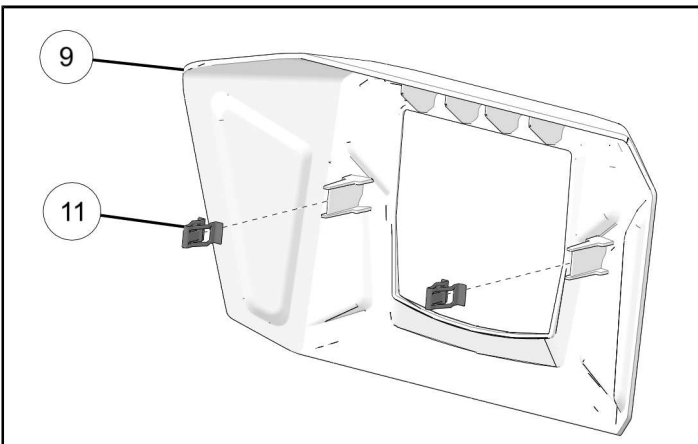
3. Attach head unit assembly to dash panel using four screws ⑩.

TORQUE

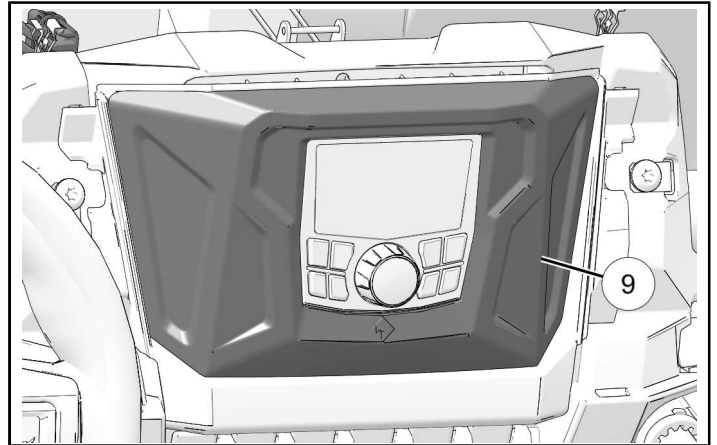
Screws ⑩:
89 in-lbs (10 N·m)



4. Install two clips ⑪ onto cover panel ⑨ tabs.



5. Install cover panel ⑨. Fit tabs from step 4 into openings on mounting bracket.



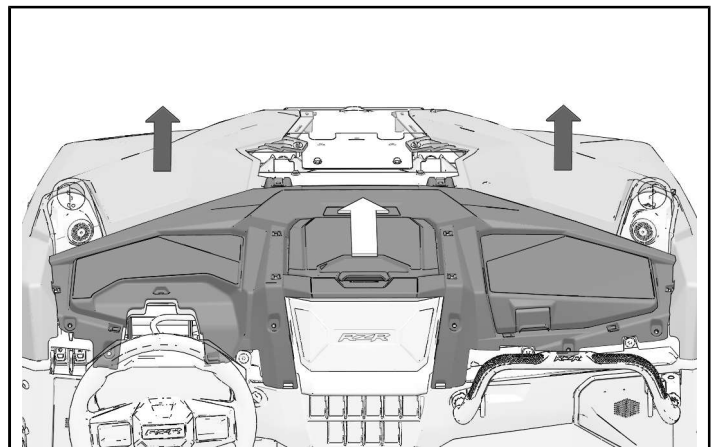
VEHICLE REASSEMBLY

DASHBOARD TOP INSTALLATION

1. Carefully lift panels up-and-away from tabs and install dashboard top into place by tilting rear section up and installing front section first, then lower rear section into place.

TIP

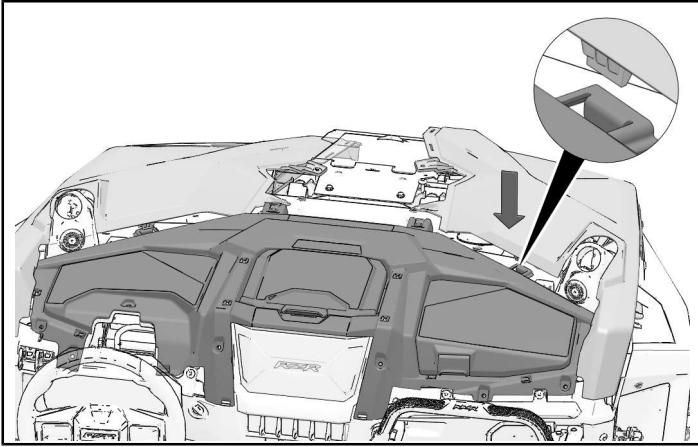
Two people are recommended to complete this step.



2. Make sure tabs on panels are aligned in slots on dashboard top.

NOTICE

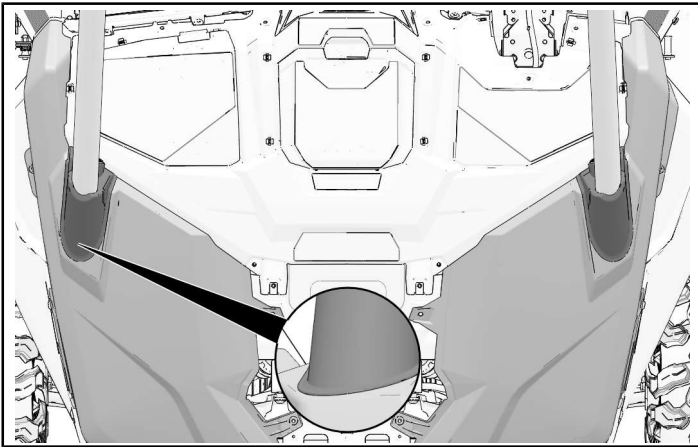
Left side panel shown; right side panel similar.



3. Make sure both rubber boots are properly seated around hood panels. Only upper lip should be visible, as shown with inset.

TIP

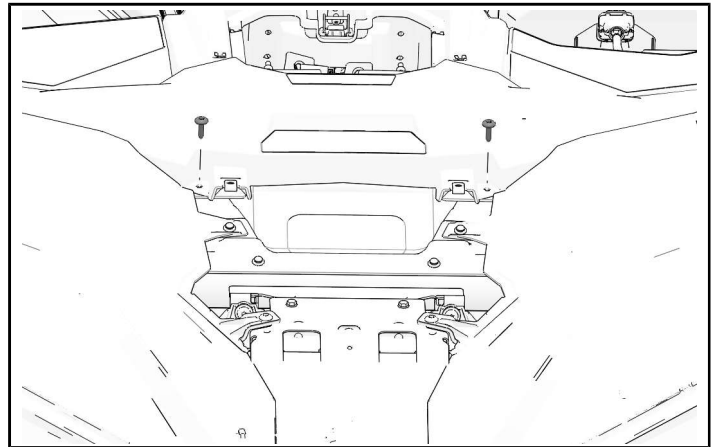
Push up on inside of fender to ease installation.



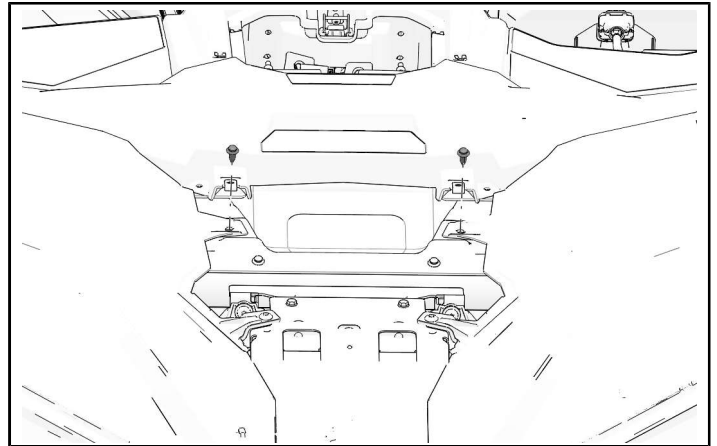
4. Reinstall two retained front dashboard fasteners into front edge of top dashboard.

TORQUE

Front Dashboard Fasteners:
89 in-lbs (10 N·m)



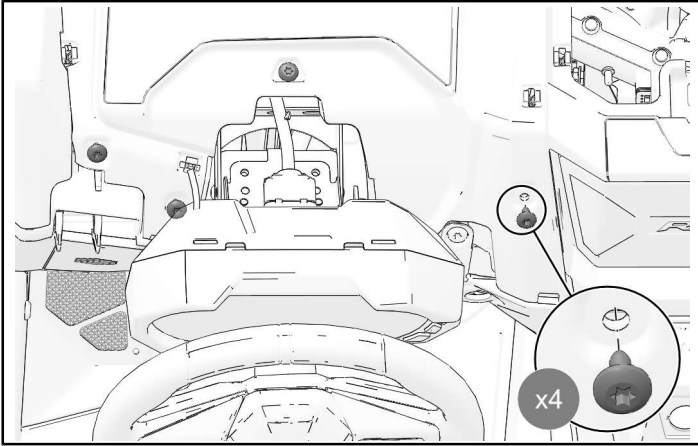
5. Install hood panels to vehicle with two retained push-pin rivets



6. Tilt steering wheel down. Install four retained screws through dashboard top and torque to specification.

TORQUE

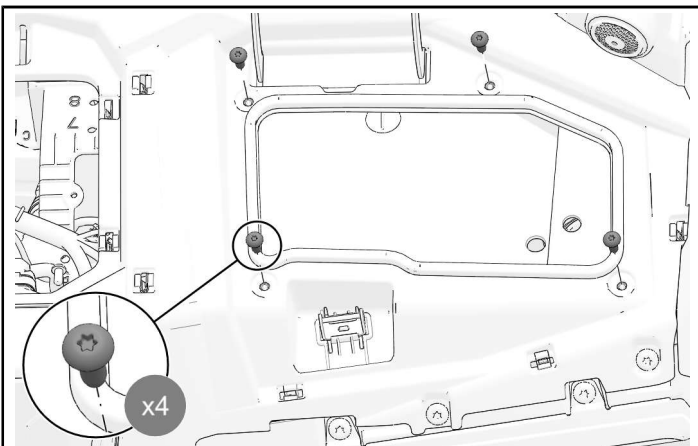
Dashboard Fasteners:
89 in-lbs (10 N·m)



7. Open glove box lid and reinstall storage compartment. Install four retained dashboard fasteners around glove box opening.

TORQUE

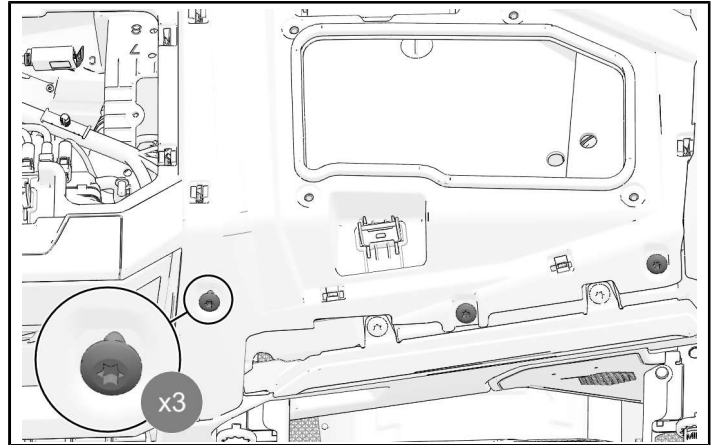
Dashboard Fasteners:
89 in-lbs (10 N·m)



8. Install front of dashboard with three retained dashboard fasteners.

TORQUE

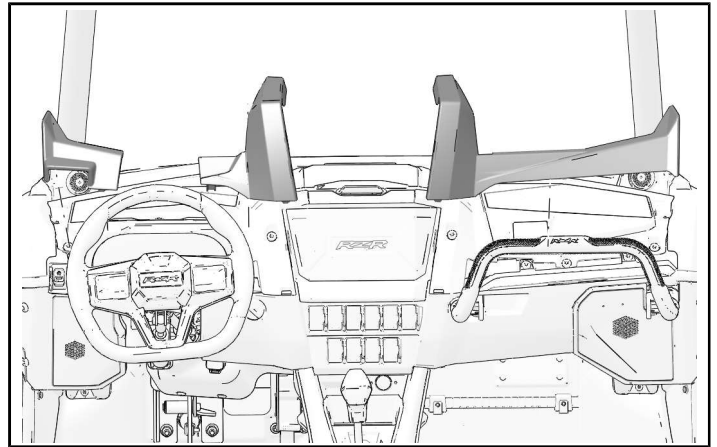
Dashboard Fasteners:
89 in-lbs (10 N·m)



9. Install retained left, center, and right dashboard trim pieces.

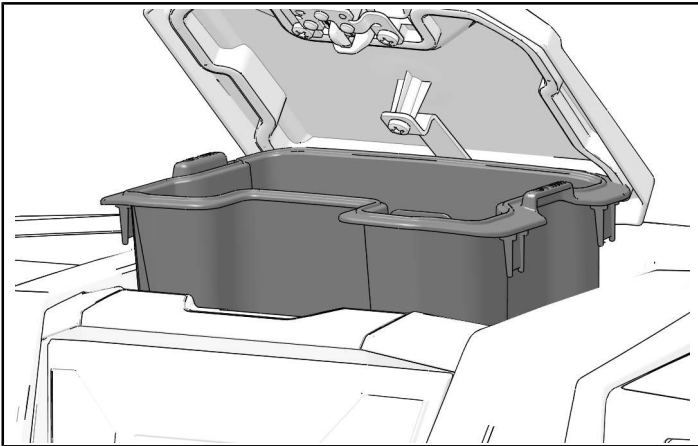
TIP

Release steering tilt lock for improved access.

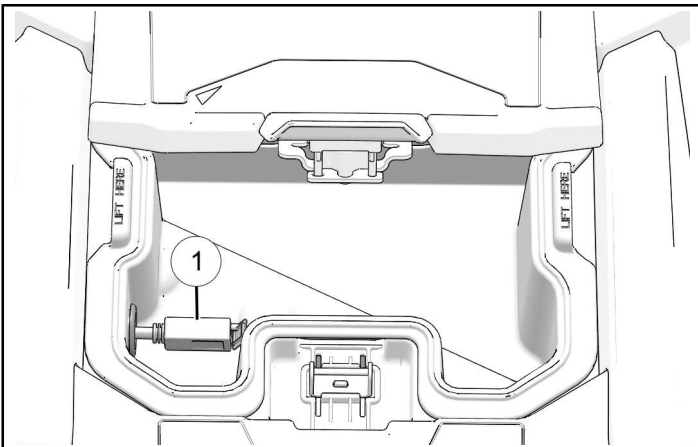


DASHBOARD STORAGE INSTALLATION

1. Loosely place storage compartment in dashboard cavity.



2. Route USB harness ① into storage compartment. Make sure rubber grommet is fully seated in side wall of storage compartment before pushing storage compartment into dashboard.

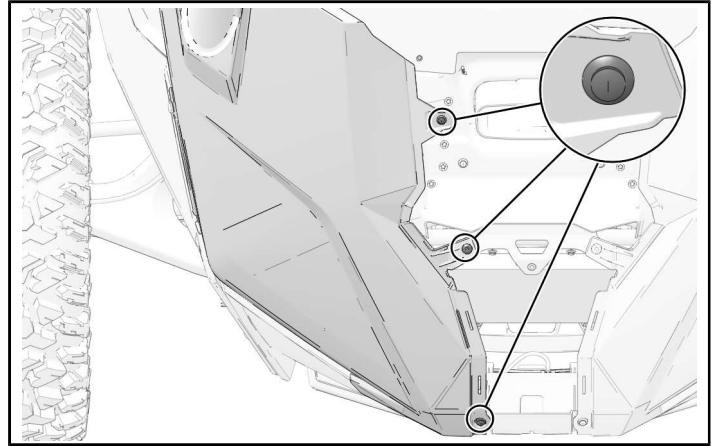


RIGHT-HAND HOOD PANEL ASSEMBLY

1. Install push-pin rivets where originally located and threaded fastener(s) where originally located.

TORQUE

Hood Fasteners:
89 in-lbs (10 N·m)



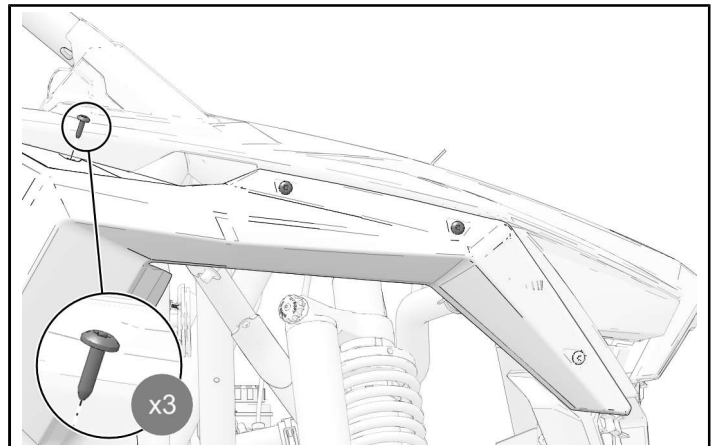
2. Install three retained front fender fasteners. Torque hood and fender fasteners to specification

TORQUE

Fender Fasteners:
89 in-lbs (10 N·m)

TORQUE

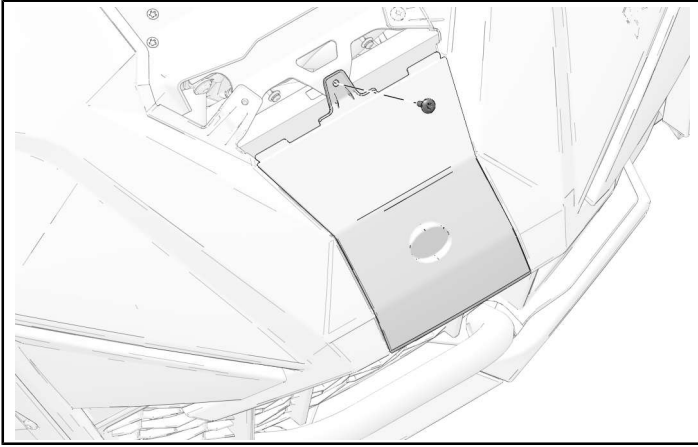
Hood Fasteners:
89 in-lbs (10 N·m)



3. Install front hood panel with one retained fastener.

TORQUE

Hood Fasteners:
89 in-lbs (10 N·m)

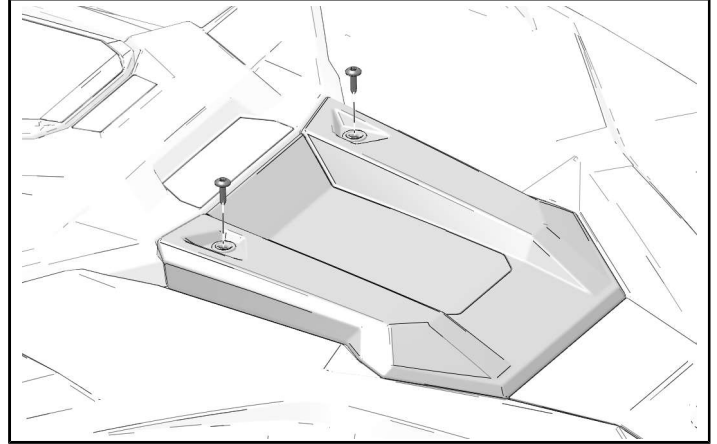


CENTER HOOD PANEL INSTALLATION

1. Move panel forward until tabs slide into front hood panel and install with two hood fasteners.

TORQUE

Hood Fasteners:
88 in-lbs (10 N·m)



INSTRUCTION FEEDBACK FORM

A feedback form has been created for the installer to provide any comments, questions or concerns about the installation instructions. The form is viewable on mobile devices by scanning the QR Code® or by clicking [HERE](#) if viewing on a PC.

