

KIT-BRUSHGUARD FRONT 170

KIT P/N 2877813



POLARIS
The Way Out.

Application:
Ranger RZR 170

Before you begin, read these instructions and check to be sure all parts and tools are accounted for. Please retain these installation instructions for future reference and parts ordering information.

This kit includes:

Item	Qty	Part Description	Item	Qty	Part Description
1	1	Front Brushguard	3	4	M6 X 90 Hex Flange Bolts
2	2	Plastic End Caps	4	1	Instructions
5	2	Flat Washer			

Tools Required :

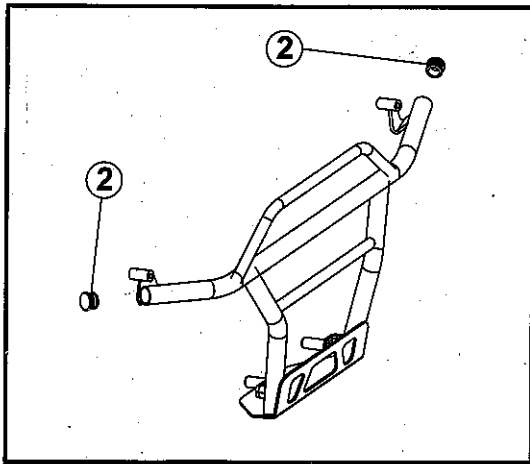
10mm socket and open ended wrench ; Torque 15ft lbs

IMPORTANT: Your Polaris accessory is designed exclusively for your vehicle. Please read the installation instructions thoroughly before beginning. Installation of any item is easier if the vehicle is clean and free of debris.

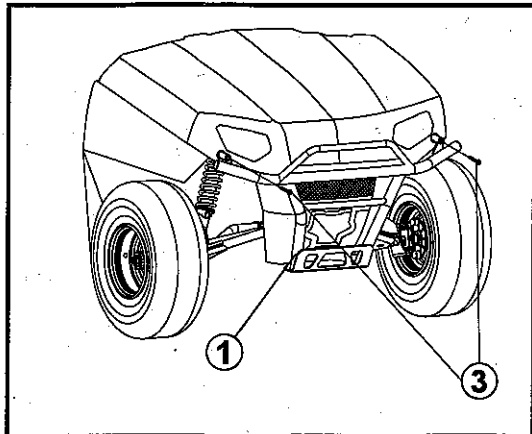
APPROXIMATE INSTALLATION TIME: 20 minutes

INSTALLATION INSTRUCTIONS

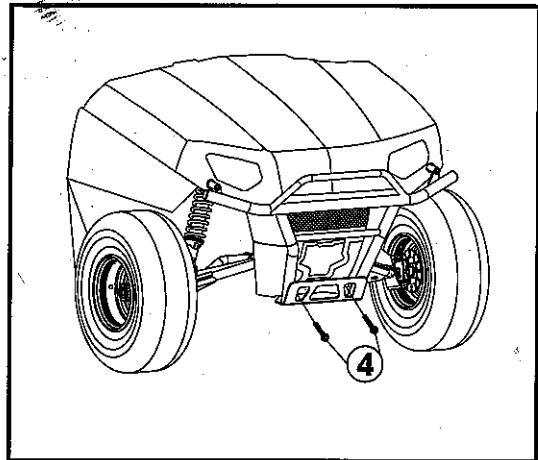
1. Insert two end caps (2) into the brushguard(1).



2. Remove the 2 upper and 2 lower bolts from the plastic front bumper.
3. Attach the upper mounts of Brushguard to the vehicle frame using two 6mm x 90mm flange head bolts. (3).



4. Attach the lower mounts of the Brushguard to the vehicle frame using two 6mm x 90mm flange head bolts (4).



5. Tighten all hardware.

NOTE: Over tightening can strip out the frame.