



## EXPANSION ANCHOR ACCESSORY MOUNT SYSTEM KIT PN 2875250

**Application :**  
Universal

Before you begin, read these instructions and check to be sure all parts and tools are accounted for. Please retain these installation instructions for future reference and parts ordering information.

**The contents of this kit include :**

Ref.	Qty	Part Description
①	1	Tension Rod
②	1	Rubber Bushing
③	1	.67mm Aluminum Spacer
④	1	Inner Compression Spacer
⑤	1	Handle
⑥	1	M4 X 20mm Phillips Head Machine Screw

Ref.	Qty	Part Description
⑦	1	M8 Thin Nylock Nut
⑧	1	M4 Nylock Nut
⑨	1	.11/32" I.D. X 1-1/4" O.D. X .093" Black Nylon Washer
⑩	1	.11/32" I.D. X 1-5/16" O.D. X .135" Fender Washer

**Tools Required :**

7mm and 13mm Open-end Wrench / Phillips Screwdriver no.2

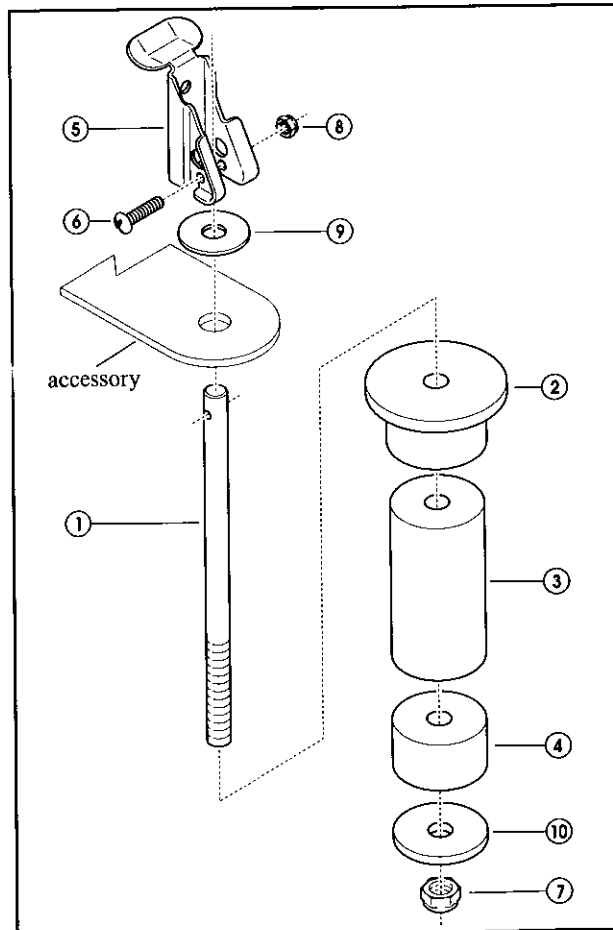
**IMPORTANT :** Your Polaris accessory is exclusively designed for your vehicle. Please read the installation instructions thoroughly before beginning. Installation of any item is easier if the vehicle is clean and free of debris.

**Approximate Installation Time :** 5 minutes

### INSTALLATION INSTRUCTIONS

1. Assemble the anchor onto the accessory as illustrated.

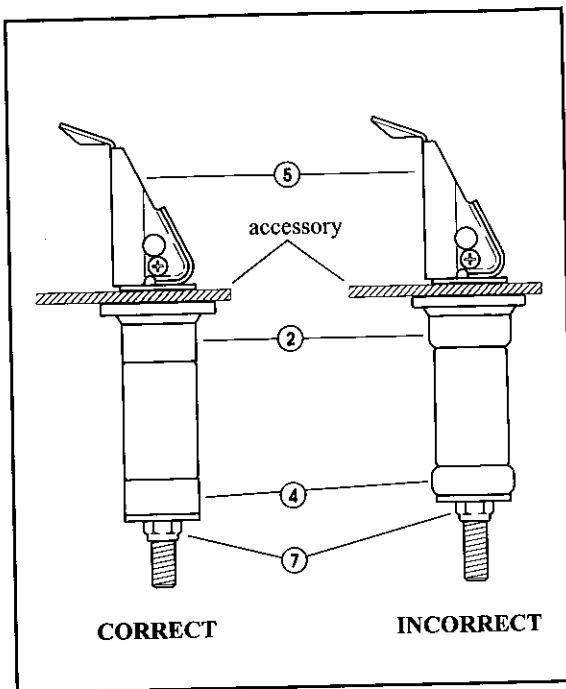
**NOTE :** To allow handle ⑤ to trip on the tension rod ①, do not overtighten the M4 X 20mm Phillips head machine screw ⑥ and the M4 nylock nut ⑧.



## EXPANSION ANCHOR ACCESSORY MOUNT SYSTEM KIT PN 2875250

### ADJUSTMENT

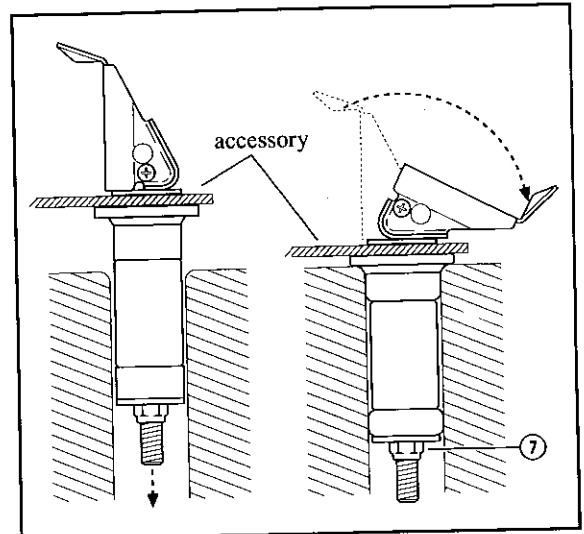
For a good adjustment, the handle ⑤ should be in the upright position (vertical). Tighten the M8 nylock nut ⑦ until all components are tight. Make sure that the rubber bushing ② and the inner compression spacer ④ are not compressed when the handle ⑤ is in the upright position.



If the anchor tension is inadequate when securing the accessory to the ATV (in case of a heavier accessory), tighten the M8 nylock nut ⑦ two to three turns at a time.

When the M8 nylock nut ⑦ is properly adjusted, the anchor should be able to resist a pull-out force of **150 lb** or more.

Handle exertion while closing and opening should be simple and easy (5 to 10 lb push/pull force) while still providing adequate holding capability. If the assembly is adjusted too tight, deformation of the machined screw ⑥ could result when latching.



**NOTE :** In order to prevent theft, lock the accessory's anchor with a padlock.

