



POLARIS[®]

EXPANSION ANCHOR ACCESSORY MOUNT SYSTEM FOR BOX KIT PN SS756464000

Application :
Polaris Plastic Box

Before you begin, read these instructions and check to be sure all parts and tools are accounted for. Please retain these installation instructions for future reference and parts ordering information.

The contents of this kit include :

Ref.	Qty	Part Description	Ref.	Qty	Part Description
①	2	"L" Support	⑧	2	Compression Spacer
②	2	Tension Rod	⑨	2	11/32" I.D. X 1-1/4" OD X .093"
③	2	Handle			Black Nylon Washer
④	2	5/32" dia X 3/4" Pin	⑩	2	5/16" m/Thin Nylock Nut
⑤	2	Internal Tooth Lock Washer	⑪	4	1/4" dia Lock Washer
⑥	2	Nylon Spacer	⑫	4	1/4" nc X 1/2" Hex Bolt
⑦	2	21/64" I.D. X 7/8" O.D. X .100" Fender Washer			

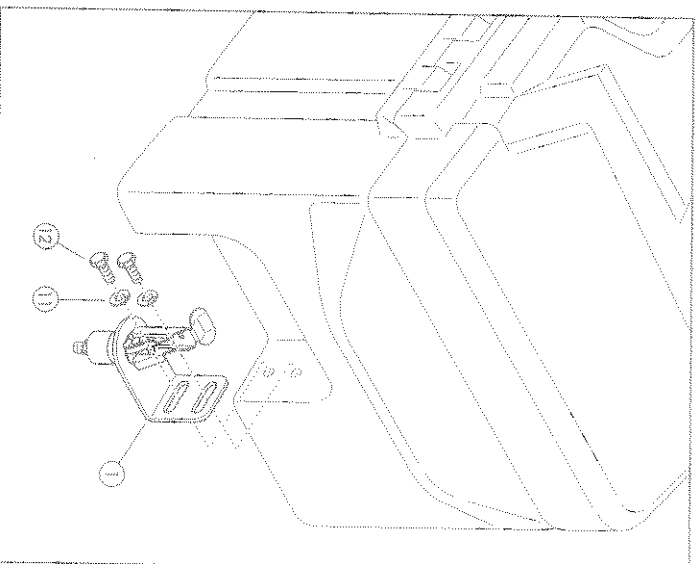
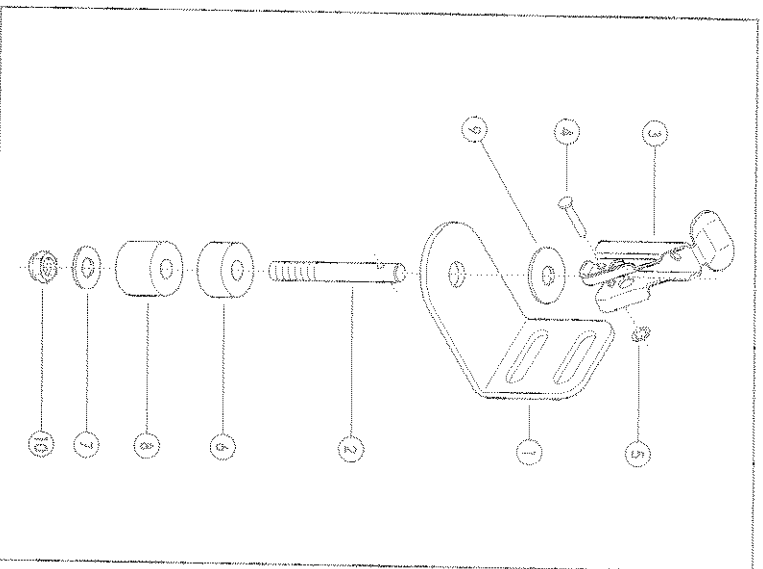
Tools Required : 7/16" and 1/2" Open-end Wrench, Long Nose Pliers

IMPORTANT : Your Polaris accessory is exclusively designed for your vehicle. Please read the installation instructions thoroughly before beginning installation of any item is easier if the vehicle is clean and free of debris.

Approximate Installation Time : 30 minutes

INSTALLATION INSTRUCTIONS

1. Assemble the (2) anchors onto the (2) "L" supports ① as illustrated.
2. Fasten the (2) "L" supports ① to the plastic box using (4) 1/4" nc X 1/2" hex bolts ⑫ and (4) 1/4" dia lock washers ⑪ (finger tighten only).

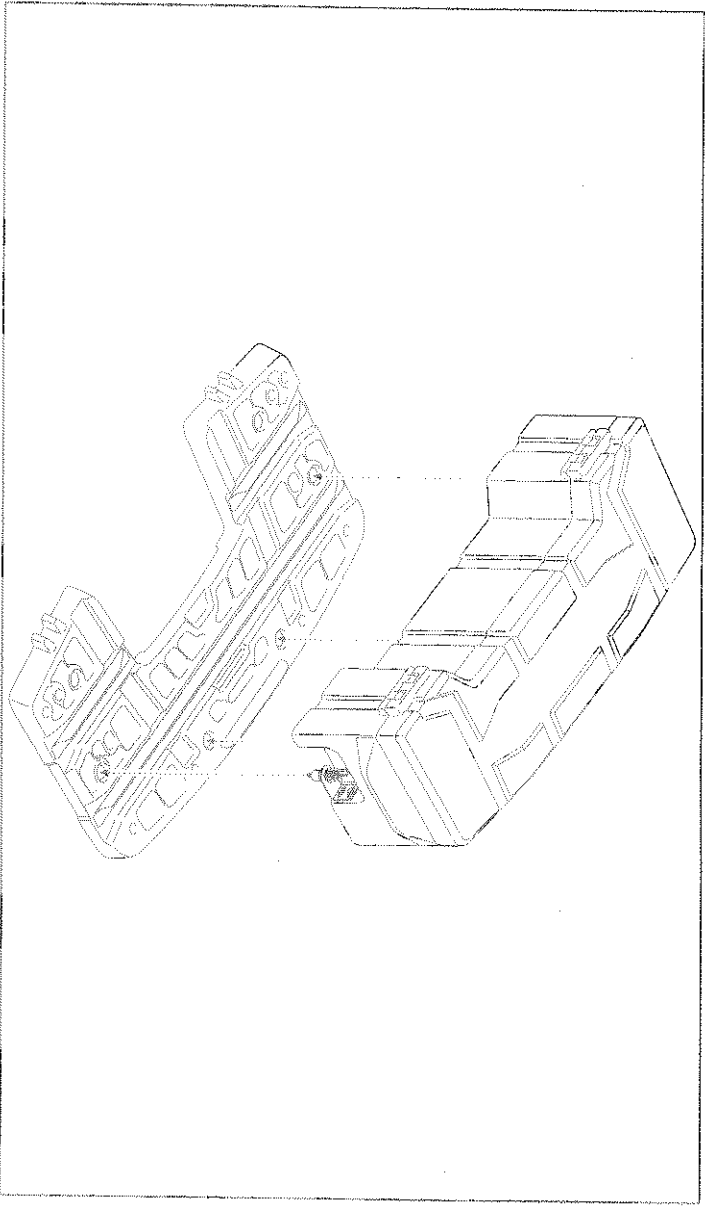




POLARIS

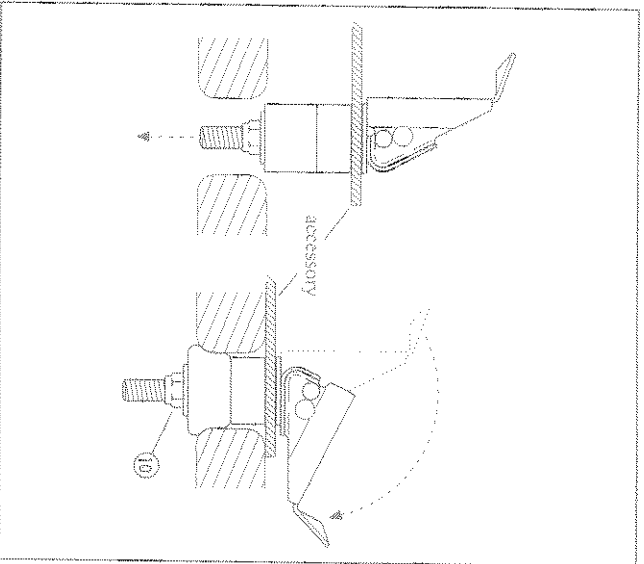
**EXPANSION ANCHOR ACCESSORY MOUNT SYSTEM FOR BOX
KIT PN SS756464000**

3. Position and fasten the plastic box on the rack using (2) anchors. Secure all bolts.

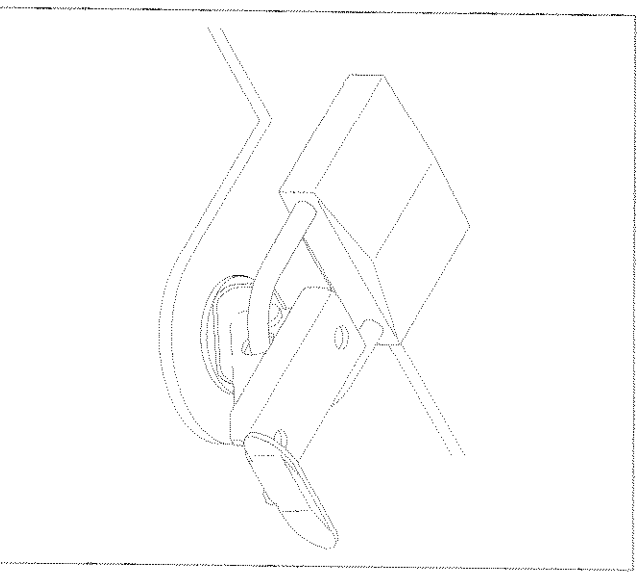


ADJUSTMENT

If the anchor tension is inadequate when securing the accessory onto the rack, tighten the mylock nut (B).



In order to prevent theft, lock the accessory's anchors with padlock.





POLARIS

EXPANSION ANCHOR ACCESSORY MOUNT SYSTEM KIT PN 2875325

Application :
Universal

Before you begin, read these instructions and check to be sure all parts and tools are accounted for. Please retain these installation instructions for future reference and parts ordering information.

The contents of this kit include :

Ref	Qty	Part Description
①	1	Tension Rod
②	1	Handle
③	1	Compression Spacer
④	1	1/8" dia X 3/4" Pin
⑤	1	Internal Tooth Lock Washer
⑥	1	Nylon Spacer

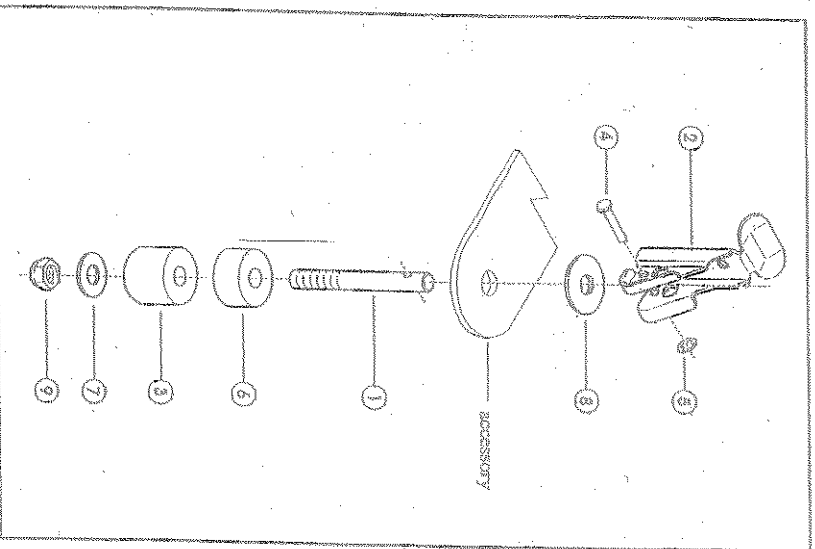
Tools Required : 1/2" Open-end Wrench / Long Nose Pliers

IMPORTANT : Your Polaris accessory is exclusively designed for your vehicle. Please read the installation instructions thoroughly before beginning. Installation of any item is easier if the vehicle is clean and free of debris.

Approximate Installation Time : 5 minutes

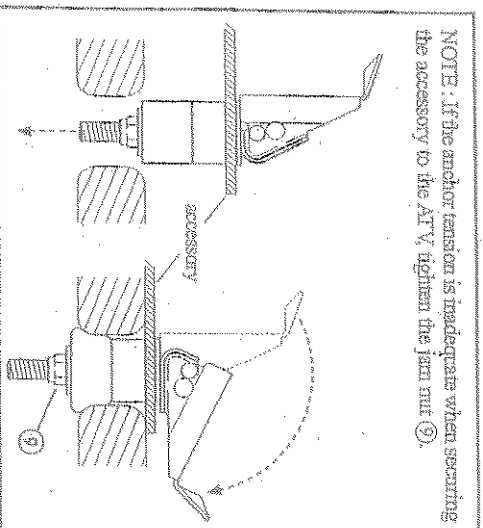
INSTALLATION INSTRUCTIONS

1. Assemble the anchor onto the accessory as illustrated.



Ref	Qty	Part Description
⑦	1	21/64" I.D. X 7/8" O.D. X .100" Fender Washer
⑧	1	11/32" I.D. X 1" O.D. X .081" Fender Washer
⑨	1	5/16" n° Jam Nut

NOTE : If the anchor tension is inadequate when securing the accessory to the ATV, tighten the jam nut ⑨.



NOTE : In order to prevent theft, lock the accessory's anchor with a padlock.

